


DOMETIC

REFRIGERATORS



SERVICE & SALES POINTS

Distributors & Main Parts Depots

EAST — MIDWEST
INSTAMATIC CORPORATION
2323 Middlebury Street
P.O. Box 456
Elkhart, Indiana 46514
219—293—4591

WEST COAST
WARD & SON, INC.
P.O. Box 3505
15343 East Proctor Ave.
City of Industry, California
(Zip Code 91744)

CANADA

GREG LUND PRODUCTS LTD.
P.O. Box 220
521 N. Service Rd.
Oakville, Ontario

GREG LUND PRODUCTS LTD.
4124A — 9th Street S.E.
Calgary, Alberta

GREG LUND PRODUCTS LTD.
1780 Allard Street
Ville de Brossard
Quebec

Dometic Sales and Service Points

ALABAMA

Mobile Home Service Company
725—3rd Avenue West
Birmingham, Alabama 35204
PH: 205—786—2021 William Perkins
Mobile Homes Service Co.
2808 Governors Drive
Huntsville, Ala. 35800
Alabama Auto Carriage Company
2359 West Faxview Hall
P.O. Box 1695
Montgomery, Alabama 36100
PH: 205—262—3563

ALASKA

Nidic Gas Equipment Co.
1834 Scenic Way
Anchorage, Alaska
PH: 272—1717

ARIZONA

Apache Trailer Center
Route 3, Box 565
Hiway 60, 70, 80
Apache Junction
PH: 986—0780
Barret Refrigeration Service
Between 3rd & 4th Riverside Dr.
Bullhead City
PH: 754—8271
Van's Sales & Service
241 S. Washington St.
Chandler, Arizona
PH: 963—5054

Ben's Trailer Supplies & Repairs
1614 No. First St.
Flagstaff
PH: 774—8453

Robert Crist & Company
1565 East Main Street
Mesa, Arizona 85201
PH: 601—964—1478

Appliance Service Center
714 South Central Avenue
Phoenix
PH: 258—8671

Les Evans Refrigeration
1901 West Granada
Phoenix, Arizona
PH: 253—5658

Lewis Appliance Service
3021 No. Scottsdale Road
Scottsdale, Arizona
PH: 946—6525

Paulson's Repair Service
246 West Glenn Street
Tucson
PH: 624—0065

Niles Refrigeration Service
1329 — 9th Avenue
Yuma
PH: 783—8005

ARKANSAS

Tweedy's Mobile Home Service & Supply
Route 4, Box 190—C
North Little Rock, Arkansas 72117
Paul F. Tweedy

CALIFORNIA

Midway Mobile Home Service
120 West Midway Drive
Anaheim
PH: 774—7012

Liberty Propane
2450 Frontage Road
Arcata
PH: 822—2188

Baker's Vacation Trailers
2105 South Bascom Avenue
Campbell
PH: 377—6700

Jack's Mobile Service & Supplies
8256 No. Central Avenue
Claremont
PH: 982—3943

Nidic Gas Equip. & Appliance
1512 East Alondra
Compton
PH: 639—7556

Trailer & Home Repair
1710 Euclid Avenue
El Centro
PH: 352—7008

Marvin Brown Refrigeration
249 South Quince
Escondido
PH: 746—2592

Barker's Refrigeration
1128 — 3rd Street
Eureka
PH: 443—3008

Bay Furnace Repairs
825 Azalea Lane
Eureka
PH: 443-2327

Wright's Trailer Service
4537 East Belmont
Fresno
PH: 251-2066

Hemet Trailer Supply
1371 W. Acacia Avenue
Hemet, California
PH: 658-3327

Hardy's Mobile Home Service
7285 University Avenue
La Mesa
PH: 469-4173

Mobile Trailer Repair
44013 N. 27 St. E.
Lancaster, California
PH: 946-2010

Ward & Son, Inc. (Service only)
5601 Valley Blvd.
Los Angeles
PH: 225-2271

Frank Stoddard
121 Greendale Drive
Los Gatos
PH: 356-2415

Bob's Refrigeration Service
405 Virginia
Modesto
PH: 523-9916

Sanford Refrigeration
1043 Suntan Lane
Palm Springs
PH: 324-1557

Mobile Home Specialists
6517 Rocky Lane
Paradise
PH: 877-6068

Central Coast Camper Sales
444 So. Dolliver Hiway
Pismo Beach, California
PH: 773-2665

Schafer Oil Company
415 Madison Street
Red Bluff
PH: 527-3232

Commercial Gas Service
2522 Favretto Avenue
Redding, California
PH: 246-1440

General Trailer Repair
10905 San Pablo Avenue
Richmond
PH: 228-7841

Valley Trailer Sales
2446 Rio Linda Blvd.
No. Sacramento, Calif.
PH: 925-5815

Al's Sales and Repairs
4634 Norris Avenue
Sacramento
PH: 487-2612

Double L.L. Trailer
Repair & Supplies
2400 Auburn Avenue
Sacramento 21, California
PH: 487-9545

See La Mesa Listing
San Diego

Walt Hansen
16543 Los Banos
San Leandro
PH: 276-5740

Shirley's Appliance Service
1117 So. Pacific Avenue
San Pedro, California
PH: 832-7919

Fredson's Trailer Supply
815 North Harbor Blvd.
Santa Ana
PH: 839-5555

Dahlen's Trailer Supplies
210 Arden Road
Santa Barbara, California
PH: 966-2121

Lloyd's Domestic Gas Service
1901 Delaware Avenue
Santa Cruz
PH: 423-0952

Mitchell Motor & Trailer Sales
5690 Redwood Hiway North
Santa Rosa
PH: 545-0814

Alken Company
2412 North Wilson Way
Stockton
PH: 466-2331

Coastline Trailer Sales
303 North Ventura Avenue
Ventura
PH: 648-1772

Morrison's Petroleum Service
765 Sutter Street
Yuba City
PH: 743-6561

Hardy's Mobile Home Service
11022 Bryant
Yucaipa
PH: 797-7164

COLORADO

Able's Service & Repair Co.
17 South Cascade Avenue
Colorado Springs
PH: 633-2686

Bart's Camper Sales
3501 East Highway 24
Colorado Springs, Colo. 80909
PH: 576-2716

Chismans Trailer & Motor Sales
2500 East Boulder St. & Hiway 24
Colorado Springs, Colorado 80909
PH: 303-473-7043 Harold Chisman

Trailer Homes Rental & Sales, Inc.
2485 U.S. Hwy. 6
Craig, Colorado 81626
PH: 303-243-2227 Mr. Junior Cole

Denver Trailer Supply, Inc.
1746 South Broadway
Denver, Colorado 80210
PH: 722-7969 Jim Fleming

Frenchie Mobile Home Service
298 So. Yates
Denver, Colorado
PH: 935-6052

Bales Gas & Electric Service
5353 So. Franklin
Littleton, Colorado
PH: 781-1566

Ellis Repair Service,
P. O. Box 143,
Hwy 287 1 mile
North of Loveland
Loveland, Colo. 80537
PH: 667-3236

Jake Kraus
Refrigeration & Appliance Repair
Uravan, Colorado

CONNECTICUT

Darrel A. Downs Trailer Repairs &
Service
393 Bridgeport Avenue
Devon, Connecticut 06460
PH: 203-CT-06462

Connecticut Campers Ctr. of
Milford, Inc.
260 West River Street
Milford, Connecticut 06460
PH: 203-878-6374

DELAWARE

Richard Rice Trailer Co., Inc.
601 South Dual Highway
Seaford, Delaware 19973
PH: 302-629-9427
Robert L. Faircloth

FLORIDA

C. J. Stoll, Inc.
825 U.S. 301 Blvd. East
Bradenton, Florida 33505
PH: 813-747-2720

Indian River Trailer Sales
Route 1, Box 370
Cocoa, Florida 32922
PH: 305-NE-61422

Paul's Mobile Home Supplies
U.S. 1 By-Pass, P.O. Box 30
Florida City-Homestead,
Florida 33030
PH: 305-247-5857 Paul Winton

J & N Travel Trailer Sales & Service
1000 State Road 84
Fort Lauderdale, Florida 33315
PH: 305-524-6990 Mr. Jensen

Fort Meyers Trailer Park
and Supplies
3111 Cleveland Avenue
Fort Meyers, Florida 33901
PH: 813-936-2359
Byron W. Tennis

Murphy of Florida
940 Crevasse Street
Lakeland, Florida 33801
PH: 813-858-3559
Paul S. Murphy, Jr.

A B C Trailer Sales
Route 3, Box 595
Leesburg, Florida 32748
PH: 904-787-7744 Bill Jackson

Jerry's Travel Trailer Sales &
Service
2710 N. W. 36th Street
Miami, Florida 33142
PH: 305-634-7648 Jerry Mega

K & K Trailer Supply
County Gas Co.
1234 N. W. 79th Street
Miami, Florida 33147
PH: 305-758-5544

Suburban Trailer Works & Park
2410 South Pine Street
Ocala, Florida 32670
PH: 904-622-6249 Mr. Luther Ritch

Dryanders, Inc.
5485 South Orange Blossom Trail
Orlando, Florida 32809
PH: 305-855-9351

Panama Trailer Sales
6034 Hwy. 98 East
Panama City, Florida 32401
PH: 904-763-4862 Lou Washburn

Hayes Trailer Sales
701 North Old Cory Road
Pensacola, Florida 32506
PH: 904-455-3774 Daniel Hayes

D & S Refrigerator Repairs
7075 47th Street North
Pinellas Park, Florida 33565
PH: 813-525-1948
William K. Deviou

Earl's Trailer Sales & Service
7707 South Tamiami Trail
Sarasota, Florida 33581
PH: 813-924-4448
Earl E. Houseberg

C. J. Stoll, Inc.
5985-34th Street North
St. Petersburg, Florida 33714
PH: 813-527-2189
Mr. Dwight Troester

Bell's Trailer Park & Sales
Rt. 4, Box 382
Tallahassee, Florida 32310
PH: 904-576-2915 George T. Bell

North Florida Gas Corp.
3434 South Monore
Tallahassee, Florida 32302
PH: 904-877-1121

Costal Trailer Sales
1441 North Military Trail
West Palm Beach, Florida 33406
PH: 305-683-5888 H. V. Ryan

GEORGIA

Dixie Lee Drive Inn & Trailer Sales
Hwys. U.S. 1 & 78
Bath, Ga.

Leslie Mobile Home Supplies
3421 Steward Avenue
Hapeville, Georgia 30054
PH: 404-766-7571 Dick Richardson

Terrell Appliance Service
127 Main
Jonesboro, Georgia
PH: 404-478-9908

C & M Vacation Trailers, Inc.
South Expressway 41 & 19
19 Miles South of Atlanta
Jonesboro, Georgia
PH: 404-478-3426

Howards Mobile Home Service
Route 1, Box 703
Warner Robbins, Georgia
PH: 912-923-3764

IDAHO

Nampa Trailer Center
452 Caldwell Blvd.
Nampa
PH: 466-0022

Drum's Vista Liner Sales
Karcher Junction & Hiway 30
Nampa
PH: 466-4232

Handy Service
4929 Yellowstone Avenue
Pocatello, Idaho
PH: 233-4929

ILLINOIS

Hunter Travel Trailer
415 North Illinois
Carbondale, Illinois 62901
PH: 618-457-2141 Dick Hunter
Robert Crist and Company
9100 S. Stoney Island Avenue
Chicago, Illinois 60617
PH: 312-221-9100 John Gudgeon
Prairie View Mobile Homes,
Rd. 136 at Indiana State Line,
Danville, Ill. 61832
PH: AC (217) 443-0497
Ripper Mobile Home Sales
3916 North Main Street
East Peoria, Illinois 62633
PH: 309-699-6231
Perfect Mobile Homes
7901 St. Clair Ave.
East St. Louis, Ill.
PH: 618-BR-12131 Donald Mourey
Jim's Trailer Sales and Service
1513 S. Chicago Street
Joliet, Ill. 60436
PH: 302-722-9157

Mann's Mobile Homes
R.R. 1 North Normal
U.S. 51
Normal, Illinois 61761
PH: 309-452-1520 John W. Mann

J.W. "Bill" Jud, Trailer Refrig. Serv.
5007 Edgebrook Drive
Peoria, Illinois 61614
PH: 309-682-0398 Bill Jud

Campers Unlimited
6 Miles North of
Plainfield on Rt. 59
Plainfield, Illinois 60544
PH: 815-436-2386 Paul Harris

Ross Mobile Home Service
601 Chestnut
Quincy, Illinois 62301
PH: 217-223-2001 David V. Ross

Park City Service,
520 Fredson Rd., Park City,
Waukegon, Ill. 60085
PH: 312-ON2-2596

Panda Hi-Way Body Builders,
119, East Chicago Ave.,
Westmont, Ill. 60559

Hoeksema L.P. Gas, Inc.,
Wadsworth Road & Lewis Ave.,
Zion, Ill. 60099
PH: 312-623-7600

INDIANA

H & S Camper Sales and Service
R 4 Tri Lakes
Columbia City, Indiana 46725
PH: 219-619-4452 Verlie H. Snider

Prairie View Sales
R.R. 2 (State Road 63 South of I-74)
Covington, Indiana 47932
PH: 317-793-2281 John H. Hansen

Baer Field Travel Trailer Sales
11910 Bluffton Road (Hwy., 1. South)
Fort Wayne, Indiana 46307

Hoosier Mobile Home Supply, Inc.
6750 Calumet Avenue
Hammond, Indiana 46324

Markin Mobile Homes Sales & Serv.,
4610 West Washington,
Indianapolis, Ind. 46200

Goodyear Mobile Homes
1608 East 10th (Highway 62 East)
Jeffersonville, Indiana
PH: 812-282-7718 Martin Goodyear

Lafayette Travel Trailer Sales
300 By Pass 52, North
Lafayette, Indiana 47901
PH: 317-G17-2218

Berts Trailer Sales,
R.R. 3, Box 17, on U.S. 20.
Michigan City, Ind. 46360

Hickman's Trailer Sales & Service
State Road 135
Morgantown, Indiana 46160
PH: 317-597-4011 Dick Hickman

Creech Bros. Mobile Home
Supply, Inc.
715 N.W. 5th Street
Richmond, Indiana 47374
PH: 317-962-5059

U.S. 24 Trailer Sales,
R.R. 2, East of Roanoke,
Roanoke, Ind. 46783
PH: 219-672-2300

IOWA

Barrows Camp-O-Rama, Inc.
1912 Washington Blvd., Hwy. 67
Camanche, Iowa 52730

Trailer Parts & Service
3010 Williams Blvd. S.W. (Hwy 149)
Cedar Rapids, Iowa 52404
PH: 319-365-2503 Jim Reeder

Travel Trailer Sales
3819 16th Ave. S.W. (Hwy 30)
Cedar Rapids, Iowa 52404
PH: 319-362-6184 Don Sedlack

Wagner's Clinton Trailer Sales
126 6th Avenue South 126 6th Ave. So.
Clinton, Iowa 52732
PH: 319-242-3401 W. J. Wagner

Thompson & Sons Trailer Sales
RR 2, Box 175
Davenport, Iowa 52804
PH: 319-323-0620

Bill Brown Trailer Sales
3700 East 14th Street
Des Moines, Iowa 50313
PH: 515-262-3700

Holiday Trailer Sales
3514 E. 14th Street
Des Moines, Iowa 50313
PH: 515-265-4467

C. G. Pett Mobile Home Serv.,
3622 Fifth Avenue,
Des Moines, Iowa 50313

Travel Trailer Sales
622 South Madison
Ottumwa, Iowa 52501
PH: 515-682-2123
Harold Carruthers

KANSAS

AVS Complete Mobile
Home Service
1511 West 4th
Hutchinson, Kansas 67501
PH: 316-MO3-4293
Avory "AV" Johnson

Liberal Mobile Homes, Inc.
Hwy. 54 East, P.O. Box 818
Liberal, Kansas 67901
PH: 316-MA4-6271

Memory Lane Service Center,
801 West 57th St.,
Topeka, Kansas 66609
PH: 913-UN 2-1953

Coleman Gas Serv. Co., Inc.,
246 North Emporia,
Wichita, Kansas 67202
PH: 316-AM-28025

KENTUCKY

Central Mobile Home Supply Co.
1722 Brick Kiln Lane
Louisville, Kentucky 40216
PH: 502-447-3721 John Meredith

Murphy Sales Company, Inc.
Winchester Road, Route 60
Mt. Sterling, Kentucky 40353
PH: 606-498-1168 Paul S. Murphy

Murphy Sales Co.
Benson Road
Shelbyville, Kentucky 40065
PH: 502-633-1450 John Booth

LOUISIANA

Hoy's Campers
4037 Fairwoods Drive
Baton Rouge, Louisiana 70805
Mobile Home Service & Supply Co.
102 Malcolm St., P.O. Box 1704
Lake Charles, Louisiana 70601
PH: 318-HE-60873 Jim Poynter

Barrow's Inc.,
4630 Veteran's Highway,
Metaire, La. 70001

Pittman Stove Works
1743 Desire Street
New Orleans, Louisiana 70117
PH: 504-482-1323

MAINE

Files & O'Keefe of Maine, Inc.,
P. O. Box 879, Route 302,
Portland, Maine 04104
PH: 207-797-4100

MARYLAND

The Custom Coach Company
8332 Pulaski Highway
Baltimore, Maryland 21237
PH: 301-687-7200
Richard T. Albright

Shields, Inc.
R.F.D. 2
Frederick, Maryland 21701
PH: 301-MO2-8121

MASSACHUSETTS

Drum Hill Travel Trailers Inc.
8 Wesley St., Rte. 3 7 4, Exit 32
Chelmsford, Massachusetts 01824
PH: 617-454-2884

Brian D. Fiske & Assc.,
23 Willard Street,
Chelsea, Mass. 01824
PH: 617-TU9-2808

MacDonald's Mobile Homes, Inc.
130 E. Washington Street
No. Attleboro, Massachusetts 02760
PH: 617-695-9241
Mr. Alvin MacDonald, Jr.

Mosher's Travel Trailer Center,
Blue Jay Four Corners,
Sutton, Mass. 01527
PH: 617-UN5-4294

Camper's Headquarters,
Rt. 1 & 27, P. O. Box 190,
Walpole, Mass. 02081
PH: 617-668-6565

MICHIGAN

Bob Frank Trailer Sales
1416 West Columbia
Battle Creek, Michigan 49014
PH: 616-WO2-8659 Bob Frank

Cole Trailer Sales
1405 Broadway
Bay City, Michigan 48706
PH: 517-TW3-5035 Jim Cole

Vern O. Struble
2014 Russell Road
Benton Harbor, Michigan 49022
PH: 616-925-0318 Vern Struble

Mobile Home Service,
G 6149 Lapeer Road,
Davison (Flint), Mich. 48423
PH: 313-742-0016

Monson Trailer Sales
24023 Ann Arbor Trail
Dearborn, Michigan 48127
PH: 313-561-5730

Michigan Trailer Coach Sls. & Serv.,
4044 S. Division Ave.,
Grand Rapids, Mich. 49500
PH: 616-LE4-4965

Fisher Trailer Sales,
3551 Remembrance Road,
Grand Rapids, Mich. 49504
PH: 616-453-4809

Woodland Travel Center, Inc.
5190 Plainfield N. E.
Grand Rapids, Michigan 49505
PH: 616-363-9038 Barry Hartwell

Holland Trailer Service
246 Charles Drive
Holland, Michigan 49423
PH: 616-335-8168 Vince Hardy

Holly Travel Coach, Inc.
15220 North Holly Road,
Holly, Mich. 48422
PH: 313-ME4-6771

E. L. Lawrence Engineering
4104 Page Avenue, Box 105
Jackson, Michigan 49254
PH: 517-PO4-3420

R. Paul Mobile Home Repair
8542 Shaver Road
Kalamazoo, Michigan 49002
PH: 616-327-6093 Russel K. Paul

Mid-State Trailer Sales
1616 North Saginaw Road
Midland, Michigan 48640

Northwoods Trailer Sales, Inc.
G-6369 N. Dort Highway,
Mt. Morris, Mich. 48458

Metropolitan Appliance Service
1945 Lake Shore Drive
Muskegon, Michigan 49441
Bob's Mobile Home Service
2114 E. Main Street
Niles

Stachler's Travel Trailer Sales
3771 West Highland Street
Pontiac, Michigan
PH: 313-332-4928

Warner Trailer Sales
3098 W. Huron St.,
Pontiac, Mich. 48053
North Point Trailer Sales
4741 24th Avenue
Port Huron, Michigan
Sportsman Trailer Sales
Rt. 3
Shepard, Michigan 48883

Redford Trailer Sales, Inc.,
23080 Telegraph Road
Southfield, Mich.

Jim's Mobile Home Service
26027 First
Taylor, Michigan 48180
PH: 313-CR8-1845 Jim O'Brien

Kolbe Trailer Sales, Inc.
5785 East 8 Mile Road
Warren (Detroit), Michigan 48091
PH: 313-536-0265 Grant Johnson

Van Dyke Gas Company
6757 East 9 Mile Road
Warren, Michigan 48091
PH: 313-757-8500

MINNESOTA

Phil Dunning Trailer Sales, Inc.
3050 Coon Rapids Blvd.
Coon Rapids, Minnesota 55433
PH: 612-421-2020 Norman Kuehne
A.A.A. Trailer Supply Co.
U.S. 2

Deer River, Minnesota 56636
PH: 218-246-8538
Joseph B. Norvicki

Dubla's Camper
4999 Lindahl Road
Duluth, Minnesota 55811
PH: 219-729-7377 Stan Dubla

Hart Trailer Sales,
Long Prairie, Minnesota

Minneapolis Trailer Sales, Inc.
6284 Highway No. 52 North
Minneapolis, Minnesota 55428
Roy Kornovich

Dey Appliance Co.
150 East 13th Street
St. Paul, Minnesota 55101
PH: 612-225-7865 Adolph Dey

Midwest Mobile Homes Supply,
1081 Hwy. 36 E., Jct. Hwy. 61,
St. Paul, Minn. 55101

Stewartville Trailer Sales
619 North Main
Stewartville, Minnesota 55976
PH: 507-533-8881 Ray Tebay

MISSISSIPPI

Friendly Sales Corp.,
U.S. Hwy. 90 E., P. O. Box 1.
Pascagoula, Miss. 39567
PH: 601-762-1424

Tate Travel Trailers Sales,
613 Main Street,
Petal, Miss.

MISSOURI

Kansas City Trailer Sales, Inc.,
14815 South 71 Highway,
Grandview, Mo. 64030
PH: 816-D15-4775

Ponder's Service Shop,
P. O. Box 414 S. W.
Iberia, Mo. 65486
PH: 314-793-3141

S. & S. Gas Repair Service
RR 4, Box 56 (54th & Main)
Joplin, Missouri
PH: 417-624-3082 H. M. Soske

Byerly Trailer & Mfg Co., Inc.,
11601 Manchester Road,
Kirkwood, Mo. 63131
PH: 314-YO5-1221

Stout Travel Coach Sales
6440 Trafficway
Raytown, Missouri 64133
PH: 816-FL6-5678 Harry Stout, Jr.

Orb Johnson Trailer Supply
Route 11, Box 1642
Springfield, Missouri 65803
PH: 417-UN2-7560 Orb Johnson

Jerry's Trailer
9292 Gravois
St. Louis, Missouri
PH: 314-FL1-1113

MONTANA

Kenny's Heating & Service
236 Prickett Lane
Billings, Montana 59102
PH: 406-245-3996

Bill's Mobile Home Service &
Supplies
101 1/2 Moore Lane
Billings, Montana 59102
PH: 252-2238

Mobile Home Servicenter
3547 Miles Ave.
Billings, Montana 59102
PH: 656-1782

Petrolane Glacier Gas Service
P.O. Box 1187
Havre, Montana
PH: Havre 26-5-7133

Ace Refrigeration
2614 Oak
Missoula, Montana
PH: 543-8775

NEBRASKA

Lee's Propane Service
216 West "O" Street
Lincoln, Nebraska 68528
PH: 402-432-3269 Dick Lee

Sales & Mobile Home Service,
11006 Horney St.,
Omaha, Nebr. 68110
PH: 402-333-6281

Travel Trailer Sales
5701 North 6th Street
Omaha, Nebraska 68110
PH: 402-451-7149 Bob Harpster

NEVADA

Atlas Trailer Service
4200 East Fremont
Las Vegas, Nevada
PH: 737-5200

"95" Trailers Sales
4339 Tonopah Hiway
Las Vegas
PH: 870-1888

NEW HAMPSHIRE

New England Trailer Supply, Inc.
Route 125-2 Miles North of
Haverhill,
Massachusetts
Plaistow, New Hampshire 03865
PH: 603-382-8223

Portsmouth Mobile Homes,
U.S. Route 1,
Portsmouth, N. H. 03801
PH: 603-436-2356

We-Mets Trailer Sales & Rentals
Rd. 1, Box 273A, Rt. 16
Rochester, New Hampshire

NEW JERSEY

Hubert S. Johnson Boat Mfg. Co.,
571 West Lake Avenue,
Bay Head, N. J. 08744

Bridgeton Travel Trailer Center
588 Shiloh Pike, Rt. 49
Bridgeton, New Jersey 08302
PH: 609-451-7585

S. J. Travel Trailer Center
Delsea Drive
Franklinville, New Jersey 08032
PH: 609-445-1700 Bob Jayne

South Jersey Travel Trailer Center
Delsea Drive,
Iona, N. J. 08325

Smith Mobile Homes, Inc.,
U.S. Rt. 1, Cor. Woodlawn,
Linden, N. J. 07036
PH: AC (201) WA 5-2442

South Jersey Camper Sales
Waldeck Avenue
Milmay, New Jersey 08340
PH: 609-692-7227
Russ Cunningham

Smith Mobile Homes, Inc.
U.S. Route 22 at Countyline Rd.
Somerville, New Jersey 08876
PH: 201-722-5250 James McCall

NEW MEXICO

C. Z. Mitchell Refrigeration
5127 Sunningdale Ave., N. E.
Albuquerque
PH: 256-9651

New Mexico Trailer Repair
122 Utah N. E.
Albuquerque, New Mexico 87110
PH: 265-1908 Ed Osburn

Home Appliance Service
1614 South Richardson
Roswell, New Mexico
PH: 662-1871

New Mexico Travel Trailer Sales
410 West Riverside Drive
Truth or Consequences,
New Mexico 87901
PH: 894-2454
Nick Romenesko

NEW YORK

Certified Mobile Home Service
20 Spruce Street (Off Fuller Road)
Albany, New York 12205
PH: 518-HE8-8866

Har-Dor Enterprises
800 Kensington Avenue
Buffalo, New York 14215
PH: 716-835-1035 H. W. Galster

Sharon Trailers, Inc.
3960 Union Road
Cheektowaga, New York 14225
PH: 716-633-8914 Carl Merz

Atlantic Trailer Sales
1226 Fairport Road
Fairport, New York 14450
PH: 716-586-2283
Ember Grummons

Dygart Camper Repairs
27 South 3rd Avenue
Ilion, New York 13357
PH: 315-894-8702 Bob Dygart

O'Malley's Enterprises, Inc.
Box 116 — Traffic Circle, RTS 9 & 7,
Latham, N. Y. 12110
PH: 518-ST5-6654

Callahan's Trailer Sales
Right on Route 15
Lindley, New York 14858
PH: 607-523-6689 Frank Callahan

Travel Trailer Center, Inc.
on Route 31
Middleport, New York 14105
PH: 716-735-7378
James Manchester

Belaire Trailer Sales, Inc.
P.O. Box 55, Route 11
North Syracuse, New York 13212
PH: 315-458-2030

Farrar's Trl. Sales
and Service Center
Promisedland Road
Olean, New York 14760

Five Corners Trailers Sales
Corner Rt. 5 & 365A
Oneida, New York 13421
PH: 315-363-5750 Adolf Ziorjen

J. B. Wilson Trailer Service, Inc.
West 1st & Niagara Street
Oswego, New York 13126
PH: 315-343-3262
Richard Lockwood

Town and Country Trailer Sales
R. D. 1
Phelps, New York 14532
PH: 315-548-4151
William J. Lally

Northwest Trailer Supply, Inc.
2139 North Union Street
Spencerport, New York 14559
PH: 716-352-5650
Richard J. Schwartz, Jr.

Foland Sales, Inc.
407 North Midler Avenue
Syracuse, New York 13206
PH: 315-463-1892 Gene Foland

Eastern Travel Trailers, Inc.
204 Vestal Parkway East
Vestal, New York 13850
PH: 607-754-1810 Bob Hulbert

W.E.S. Trailer Sales, Inc.
Route 25, Wading River Road
Wading River, New York 11792
PH: 516-PA7-5852

NORTH CAROLINA

Black's Mobilehome Sales
Route 1
Burlington, North Carolina
PH: 919-226-9778 Al Black

Faires Inc.
3217 North Tryon
Charlotte, North Carolina 28206
PH: 704-333-1195 S. E. Lewis

Faires, Inc.
3014 Bragg Blvd.
Fayetteville, North Carolina 28303
PH: 919-484-7125 Ralph Faires

Hardin Oil Company, Inc.
4206 Oakland Avenue
Greensboro, North Carolina 27407
PH: 919-299-0431 W. C. Schultz

Service Sales, Inc.
Highway 301 A North
Rocky Mount, North Carolina 27802
PH: 919-446-7166 Ronnie Pierce

The Out of Doors Mart,
3686 Reynolds Road,
Highway 67, North,
Winston-Salem, N. C. 27106
PH: 919-924-8175

NORTH DAKOTA

North American Sales, Inc.,
Box 1734
Highway 83 South.
Minot, N. D. 58701
PH: 701-TE8-6912

Tri-State Trailer Rep. & Assoc.,
Box 332,
West Fargo, N. D. 58078
PH: 701-AD2-2945

OHIO

Alexander's Mobile Homes
2305 E. Waterloo Road
Akron, Ohio 44312
PH: 216-784-6639

Wood Mobile Homes, Inc.
Rd. 1 (Between Belpre &
Marietta on Rt. 7)
Belpre, Ohio 45714
PH: 614-423-9555

Cissners Trailer Sales,
Route 2,
Bradford, Ohio 45308

Ideal Mobile Homes,
5032 Lincoln S. E.
Canton, Ohio 44700

Murphy Sales Co.
11526 Chester Road
Cincinnati, Ohio 45246
PH: 513-771-5771

Travel Trailer Town,
421 Maple Ave., Arlington Heights,
Cincinnati, Ohio 45215
PH: 761-5405

Travel Trailer Repairs
2501 Duck Creek
Cincinnati, Ohio
PH: 513-351-1138 Byron Roschke

Tri-City Service, Inc.
1560 Harrison Avenue
Cincinnati, Ohio 45214
PH: 513-921-1740 S. Kellison

Ideal Mobile Home
Sales & Serv., Inc.
4840 Brookpark Road
Cleveland, Ohio 44134
PH: 216-351-8115 Jim Knapp

Lake Enterprises
16518 Detroit Avenue
Cleveland, Ohio 44107
PH: 216-521-6505 Emery E. Gall

The Gas House
3801 St. Clair
Cleveland, Ohio 44114
PH: 216-881-8400 Sidney Prizant

Valley View Custom Coach
1815 Limbach Road
Clinton, Ohio 44216
PH: 216-882-3226 Norm Johnson

Authorized Mobile Home Service
4330 Westerville Road
Columbus, Ohio 43224
PH: 614-471-0550 Wayne Post

Jones Trailer Sales
2265 Innis Road
Columbus, Ohio 43224
PH: 614-471-9114 Bob Jones

Luke's Mobile Home Repair
2889 Hiawatha Avenue
Columbus, Ohio 43224

Travel Trailer Service Center
639 Miller Avenue
Dayton, Ohio 45427
PH: 513-263-3892 Walt Meisinger

Jim's Mobile Home Supply
2700 Needmore
Dayton, Ohio 45414
PH: 513-278-5887

Diedrich's Trailorama
4366 North Ridge East
Geneva, Ohio
PH: 216-466-4168

Woodlyn Acres-Mobile Home
Park & Sales
Route 2, U.S. 224
Greenwich, Ohio 44837
PH: 419-752-3761 Mel Hughes

Lodi Trailer Sales Mfg. Division
R.D. 1, Box 250 Ste. Route 421
Lodi, Ohio 44254
PH: 216-948-1474 James D. Locke

Louisville Alstream Sales,
1001 W. Main St.,
Louisville, Ohio 44641

Travel Trailer Sales
and Service, Inc.
721 Ford Street
Maumee, Ohio 43537
PH: 419-893-3341 Ed Sloan

Mil-Rich Trailer Parts
9145 Mentor Ave
Mentor, Ohio 44060

Drake Trailer Sales,
2 Mi. N. of 73 at State Rd. 729,
New Vienna, Ohio 45159
PH: 513-987-3501

Ralph's Mobile Home
Sales & Service
521 Youngstown Road
Niles, Ohio 44446
PH: 216-652-1333
Ralph E. Crawford

Miller Trailer Sales,
Market Street Ext.,
North Lima, Ohio 44452

Berg's Travel Trailer Service
37953 Center Ridge Road (Route 20)
North Ridgeville, Ohio 44035
PH: 216-365-6130 Harry Berg

E. M. Smith & Son Travel Trls.
Sales
3350 Navarre Avenue
Oregon, (Toledo) Ohio 43316
PH: 419-691-9574
Patrick E. Smith

Ammerman Brothers,
1515 Alexis Road,
Toledo, Ohio 43600
PH: 419-GR4-3069

Novak's Coach Sales.
R. D. 2, Box 51
Wadsworth, Ohio 44281
PH: 216-FE5-5120

OKLAHOMA

Brassfield Mobilehomes Co.
7207 N.W. 39th Expressway
Bethany, Oklahoma 73008
PH: 405-Sunset 9-4941

Littleton's Plumbing &
Appliance Service
301 North 1st
Henryetta, Oklahoma 74437
PH: 918-OL2-3182 James Littleton

Oklahoma Mobile Home
Serv. & Sup.,
3119 East Admiral Place,
Tulsa, Okla. 74100
PH: 918-WE9-0453

Jack's Trailer Parts,
12235 E. Admiral Place,
Tulsa, Okla. 74115
PH: 918-GE7-3093

OREGON

Dale Dewey's Refrigeration Service
1706 Campbell Street
Baker

Magic Gas & Appliance Co.,
110 North Highway 99
Eugene
PH: 344-2283

Harry's Service
295 Ponderosa Lane
Grants Pass, Oregon
PH: 476-6512

Gas Appliance Specialists
1612 N. W. 23rd Ave.
Portland
PH: 228-0365

Shorty's Trailer Service
9000 S. E. 82nd Avenue
Portland
PH: 771-4283

Smith River Trailer Repair
909 Winchester Avenue
Reedsport, Oregon
PH: 271-2835 & 271-3107

United Repair Company
1081 Broadway N. E.
Salem
PH: 585-4480

PENNSYLVANIA

Boulevard Supplies
1129 Union Boulevard
Allentown, Pennsylvania 18103
PH: 215-435-7417

Hi Ho Trailer Sales
Park Avenue
Belle Vernon, Pennsylvania 15012
PH: 412-929-8320

Fullmer Trailer Sales
Route 1
Berwick, Pennsylvania 18603
PH: 717-PL2-5371

Red Bridge Trailer Sales,
1979 Philadelphia Road,
Chambersburg, Pa. 17201
PH: 717-264-6264

Walker's Body Shop-Camper Sales
R.D. 4, Box 156
Dover, Pennsylvania 17315
PH: 717-764-4064 Henry M. Walker

Leighner Trailer Sales,
3895 N. Front St.,
Harrisburg, Pa. 17110
PH: 717-236-8842

Turner Airstream Sales,
412 Lincoln Highway, W.,
Leannette, Pa 15644

Ray Knorr,
Klingerstown, Pa. 17941

Village Green Mobile Homes
Village Green Park
Media, Pennsylvania 19063
PH: 215-HU5-5853

Valley Trailer & Marine Center
Milesburg, Pennsylvania 16853
PH: 814-355-5452 Ken Teaman

Hickman's Trailer Sales & Service
Box 256

Morgantown, Pennsylvania 46160
PH: 215-597-4011
Dick or Bob Hickman

Dale McClenahan Trailer Sales
501 Grandview Avenue &
2613 W. State St.
New Castle, Pennsylvania 16101
PH: 412-654-7156

Reynolds Trailers, Inc.
Box 103
Transfer, Pennsylvania 16154
PH: 412-646-5121 Pat Graham

SOUTH CAROLINA

Partian, Inc.
P.O. Box 3116A, Donaldson Road
Greenville, South Carolina 29604
PH: 803-277-0671 Lamar Partian

Moore Mobile Homes,
763 Meeting St.,
West Columbia, S. C. 29169

SOUTH DAKOTA

Mike's Mobile Home Repair,
Bertelson T. C. 28
Ellsworth AFB, S. Dak 57026

TENNESSEE

Dixie Trailer Sales,
4334 Ringgold Road.
Chattanooga, Tenn. 37400

Travel Trailer & Camper
Service Center
1401 Central Avenue North
Knoxville, Tennessee 37917
PH: 615-522-0118
R. D. Beeler, Jr.

Travel Trailer & Camper Division
Tennessee Valley Finance Corp.
529 Henley Street
Knoxville, Tenn. 37917

Melrosa Camping Service Center
2730 Franklin Road
Nashville, Tennessee 37204
PH: 615-269-5689

TEXAS

Wilson Supply Company
5315 Amarillo Blvd. East
Amarillo, Texas 79107
PH: 806-383-2591 Paul G. Wilson

Allen Trailer Service,
1201 Alegria Road,
Austin, Texas 78757
PH: 512-GL3-0602

Tri City Industries
5960 Port Arthur Road
P.O. Box 467
Beaumont, Texas 77704
PH: 713-TE8-6171
Joe B. Alligood

L & H Trailer Sales
611 North Fisk Avenue
Brownwood, Texas 76801
PH: 915-642-8783
Howard Harlowe, Owner

Murray Mobile Home Service
5402 & 5635 Leopard (Hwy. 9)
Corpus Christi, Texas 78408
PH: 512-884-5758 E. L. Murray

Libby's Coach Sales,
4630 Highway 67 E., Rt. 4,
Dallas, Texas 75218
PH: 214-DA7-5858

Border Butane & Oil Co., Inc.
5524 El Paso Dr.
El Paso, Texas 79905
PH: 915-778-5243 Luis Davila

Ed Bearden Mobile Homes,
205 Grand Avenue,
Fort Worth, Texas 76106
PH: 817-MA6-1230

Roger A. Dull
P.O. Box 2566
Harlingen, Texas 78550
PH: 512-GA3-9472 Roger Dull

Wallace Services, Inc.
2005 Mangum
Houston, Texas 77018
PH: 713-682-7264
Earl R. Wallace

May Trailer Sales
Rt. 1, Box 794
Irving, Texas 75060

Abbott Trailer Sales,
1313 Main Street,
Lubbock, Texas 79400
PH: 806-PO3-4747

State Mobile Home Service,
1234 Austin Highway,
San Antonio, Texas 78218
PH: 512-OL5-4931

UTAH

Petrolane-Utah Gas Service
P.O. Box 829
Cedar City, Utah 84720
PH: 586-6731

Intermountain Trailer Co.
3776 Wall Avenue
Ogden
PH: 394-3405

Tagge's Motor, Trailer & Coach
Service
1380 South 3rd West
Salt Lake City
PH: 486-2341

VERMONT

Vermont Truck Supply
Barre, Vt. 05641

VIRGINIA

American Trailer Parts & Serv., Inc.,
7848 Richmond Highway,
P.O. Box 6146,
Alexandria, Va. 22306
PH: AC (703) 765-6600

Appliance Service Company.
210 School Street
Emporia, Va.
PH: 703-ME 4-2270

Travel Trailers of Virginia
2211 South Main Street
P.O. Box 807
Harrisonburg, Virginia 22801
PH: 703-434-9676 Howard Harman

Dixie Gas Company
508 Muller Lane
Newport News, Virginia 23606
Mr. W. L. Hollingsworth

G. K. Camper Sales,
11306 Jefferson Avenue
Newport News, Va. 23600
PH: 703-569-1581

Tidewater Trailer Supplies and
Mobilehome Service Center
1110 South Military Highway
Norfolk, Virginia 23519
PH: 703-420-4230 Tony Welborn

Oasis Trailer Sales & Service
6659E Virginia Beach Blvd.
Norfolk, Virginia 23502
PH: 703-497-4846

Gregory's Service
520 North Road
Richmond, Va. 23227

McGeorge Travel Center
6200 West Broad Street
Richmond, Virginia 23230
PH: 713-282-4256
F.C. (Red) Britten

Vacation Trailer Sales
1830 West Main Street
Salem, Virginia 24153

WASHINGTON

Hearron's Trailer Sales & Service
12620 Highway 99 South
Everett
PH: 355-5944

Caravan Trailer Repair & Service
16535 Aurora Avenue N
Seattle, Washington
PH: 542-8555

Solar Gas Company
North 411 Havana
Spokane
PH: 534-1581

Yocom Propane Co.
E. 13112 5th Street
Spokane, Washington
PH: 926-7206

Tveten Motor Company
45th and Pacific Avenue
Tacoma, Washington
PH: 472-1600

Burd and Burd
1830 South First Street
Yakima, Washington
PH: 457-8129

WEST VIRGINIA

Louie Fonduc Travel Trailer Sales, Inc.
6018 Rt. 60 (P.O. Box 216)
Barboursville, West Virginia 25504
PH: 304-736-5226 Danny Jones

Alaska's Trailer Sales
Route 3, Box 522
Clarksburg, West Virginia 26301
PH: 304-622-9067 Robert E. Alaska

Louie-Fonduc Travel Trailer Sales
5201 U.S. 50 East
Huntington, West Virginia 25700
PH: 304-736-4271

Sovine Trailer Sales,
U.S. 60, Rt. 2, Box 319 C,
Hurricane, W. Va. 25526
PH: 304-562-6421

Don's Travel Trailers
459 Winfield Road
St. Albans, West Virginia 25177
PH: 304-727-2135
Don Morrison or Henry Kelly

WISCONSIN

Chippewa Trailer Sales,
R. R. 3,
Chippewa Falls, Wis. 54729
PH: 715-723-4682

Douglas Company
8341 South 27th Street
Franklin, Wisconsin 53132
PH: 414-761-1840 Lyial Kautzer

Runge Gas Service, Inc.
3108 Roberts Street
Franksville, Wisconsin 53126
PH: 414-633-3113 Ralph Runge

Perret's Mobilehomes
1710 Willow Street, Hwy. 54 & 57
Green Bay, Wisconsin 54302
PH: 414-432-0584 David Perret

Tri-City Mobilehome
Service & Supply
100 Park Lane
Menasha, Wisconsin
PH: 414-733-7282

Northside Trailer Sales
N56 W13180 Silver Springs Road
Menomonee Falls, Wisconsin 53051
PH: 414-781-9646 Rusty

Starlite Camping Center
No. 95 W16975 Hwy. 41
River Court Shopping Center
Menomonee Falls, Wisconsin 53051
PH: 414-251-4300

Trailerama of Sparta
920 West Wisconsin Avenue
Sparta, Wisconsin 54656
PH: 608-269-6771

WYOMING

Prell's Mobile Parts & Service,
524 South Federal,
Riverton, Wyoming 82501
PH: 307-885-5661

Arne Oja Service
432 A Street
Rock Springs, Wyoming 82901
PH: 307-362-2579 Arne Oja

CANADA

ALBERTA

Propane Engineering Service Ltd.
2301 Centre Street North
Calgary, Alberta

Quality Propane Ltd.
Sub. P.O. 50, Box 120
Calgary, Alberta

Quality Propane Ltd.
Blackfoot Way & 17th Ave. S. E.
Calgary, Alberta

Superior Controls & Heating
Service Ltd.
12215, 52nd Street
Edmonton, Alberta

B & G Electric & Plumbing Ltd.
Box 98
Manning, Alberta

Ed's Hobby Shop
1000 Grey Street
Penhold, Alberta

BRITISH COLUMBIA

Arcade Trailer Service
John A. Winter
7987 — 13th Avenue
Burnaby, B. C.

Ron's Hardware & Port Rock Gas
3141 St. John's Street
Port Moody, B. C.

Cariboo Propane Ltd.
453 — 1st Avenue
Prince George, B. C.

Hastings Trailers Sales Ltd.
747 East Hastings Street
Vancouver, B. C.

Bickford's Mobile Home Service
R. R. 3
Vernon, B. C.

Bob's Trailer Sales
3657 Harriet
Victoria, B. C.

MANITOBA

Superior Propane Ltd.
Box 26
Winnipeg 8, Manitoba

Transcona Trailer Sales
671 Birds Hill Road
Winnipeg, Manitoba

Walt's Trailer Sales Ltd.
810 St. James Street
Winnipeg 21, Manitoba

NEW BRUNSWICK

Bathurst Propane
150 Main Street
Bathurst, N. B.

Corno Gas Limited
123 Canada Road
Edmunston, N. B.

Superior Propane Ltd.
R. R. 3
Box 128
Edmunston, N. B.

Fredericton Propane Gas Co. Ltd.
64 Westmorland Street
Fredericton, N. B.

Burma Propane Gas
Grand Falls, N. B.

Atlantic Speedy Propane Co. Ltd.
331 St. George Street
Moncton, N. B.

Atlantic Speedy Propane Co. Ltd.
120 Bay Side Drive
Saint John, N. B.

C. A. Gray
8 Pugsley Avenue
Saint John, N. B.

Rothesay Propane Gas
Saint John, N. B.

NOVA SCOTIA

Atlantic Speedy Propane Gas Ltd.
P.O. Box 43
81 Church Street
Amherst, N. S.

Mobile Home Sales Ltd.
Box 364
Waverley Rd.
Bedford, N. S.

Blue-Flame Gas Co. Ltd.
Bridgewater, N. S.

ONTARIO

Miller Heating & Trailer Service
9 Tudor Street
Ajax, Ontario

Superior Propane Ltd.
Box 273
Bala, Ontario

Superior Propane Ltd.
Box 681, R. R. 3
Bancroft, Ontario

Russell Church Mobile Homes Ltd.
170 Burton Street
Barrie, Ontario

Superior Propane Ltd.
Box 428
Burton Avenue
Barrie, Ontario

Bell Dale Trailers
460 Sidney Street
Belleville, Ontario

Superior Propane Ltd.
Box 427, R. R. 3
Belleville, Ontario

North Shore Propane Gas Co.
Blind River, Ontario

Totem Trailers Ltd.
85 Plains Road West
Burlington, Ontario

Superior Propane Ltd.
Box 1750
315 William Street
Carleton Place, Ontario

All Trailers Parts & Service
2130 Dundas Hwy. East
Cooksville, Ontario

Jack Graveley Mobile Homes
R. R. 2
Cornwall, Ontario

Superior Propane Ltd.
Box 805, Eamers Corners
Cornwall, Ontario

Superior Propane Ltd.
Box 130
Courtland, Ontario

Superior Propane Ltd.
1865, Leslie Street
Don Mills, Ontario

North Shore Propane Gas Co.
Espanola, Ontario

Superior Propane Ltd.
Box 70
Fendon Falls, Ontario

Northern Superior Propane Ltd.
Box 758
618, Mowat Avenue
Fort Frances, Ontario

Northern Superior Propane Ltd.
Box 325, Duncan Street
Fort William, Ontario

Superior Propane Ltd.
Box 221, Hwy. 24 Sth.
Guelph, Ontario

Southwestern Custom Trailers
R. R. 3
Hagersville, Ontario

Carter Welding Supplies Ltd.
186 Hunter Street East
Hamilton, Ontario

Superior Propane Ltd.
Box 148
Vanleek Hill Rd.
Hawkesbury, Ontario

Superior Propane Ltd.
Box 247
Hearst, Ontario

Superior Propane Ltd.
Box 104
Huntsville, Ontario

Parkland Trailer Court
P.O. Box 296
Kapuskasing, Ontario

Superior Propane Ltd.
Box 381
1216, Division St.
Kingston, Ontario

Weiland Motors Ltd.
Victoria Road N.
Kitchener, Ontario

Jackson's Mobile Home &
Trailer Sales
R. R. 4
Lindsay, Ontario

Burro Gas (Ontario) Ltd.
All Branches
P.O. Box 758
London, Ontario

Trailer City Ltd.
540 Wharncliffe Road South
London, Ontario

Northern Superior Propane Ltd.
Box 208
Longlac, Ontario

Superior Propane Ltd.
Hwy. 3
Maidstone (Windsor), Ontario

Superior Propane Ltd.
Box 210, Keele St.
Longstaff Sideroad
Maple, Ontario

Superior Propane Ltd.
Box 448, 1366 Main Street W.
North Bay, Ontario

Oro Mobile Homes
Box 664
Orillia, Ontario

Methot Motors Ltd.
1900 Ogilvie Road
Ottawa 7, Ontario

Red-E Supplies Ltd.
3 Bonner Street
Ottawa 6, Ontario

Superior Propane Ltd.
R.R. 3
Ottawa, Ontario

Superior Propane Ltd.
Box 364
R. R. 5
Owen Sound, Ontario

Boyd Trailer Sales
R. R. 1
Paris, Ontario

Ivey-Card Ltd.
R. R. 1, Chemong Rd.
Peterborough, Ontario

Peterborough Mobile Home
Sales Ltd.
Landsdowne St. E.,
at Downers Corn's
Peterborough, Ontario

Superior Propane Ltd.
Box 87
R. R. 4
Peterborough, Ontario

Superior Propane Ltd.
Box 548
Hwy. 41
Pembroke, Ontario

Point Edward Camping &
Trailer Sales
811 Michigan Avenue
Point Edward, Ontario

Aldon's Midtown Ltd.
120 N. Cumberland St.
Port Arthur, Ontario

Del-Craft Metal Industries
Cumberland Street
Port Arthur, Ontario

Superior Propane Ltd.
Box 366
755, Chester Street
Presscott, Ontario

Horton Trailer Sales
Hwy. 17 E.
P.O. Box 69
Renfrew, Ontario

W. E. Miller Refrigeration
176 Lochiel Street
Renfrew, Ontario

Superior Propane Ltd.
Box 366
755, Chester Street
Sarnia, Ontario

Superior Propane Ltd.
Box 70
Lincoln Rd. 38
Smithville, Ontario

Superior Propane Ltd.
Box 386
Bank Street
Simco, Ontario

Superior Propane Ltd.
Box 336
Collingwood
Stayner, Ontario

Log Cabin Trailer Sales
Box 85
St. Davids, Ontario

North Shore Propane Gas Co.
497 Queen St. East
Sault Ste. Marie, Ontario

Werner Trailer Sales
R. R. 1
Selkirk, Ontario

Superior Propane Ltd.
159 Monteith Street
Stratford, Ontario

Superior Propane Ltd.
133, Head St.
Strathroy, Ontario

Sudbury Petroflame Ltd.
2475 Maley Drive
Sudbury, Ontario

Superior Propane Ltd.
2253, Lasalle Blvd.
Sudbury, Ontario

Mobile Village & Trailer Sales
R. R. 2
Trenton, Ontario

Monarch Refrigeration Service Ltd.
249 Cosburn
Toronto, Ontario

Arctic Refrigeration
Box 317
Vineland, Ontario

Superior Propane Ltd.
Box 509
Kincardine Hwy.
Walkerton, Ontario

Dobson Propane
Washago, Ontario

A. L. Horensome & Sons
Waterdown, Ontario

North Shore Propane Gas Co.
Wawa, Ontario

Niagara Trailer Sales
R. R. 4
Welland, Ontario

Monarch Propane Gas Ltd.
169 Fenmar Drive
Weston, Ontario

Superior Propane Ltd.
Box 450
Victoria Street, E.
Whitby, Ontario

Superior Propane Ltd.
Box 249
White River, Ontario

PRINCE EDWARD ISLAND

Island Propane Gas Co. Ltd.
58 Grafton Street
Charlottetown, P. E. I.

Island Propane Gas Ltd.
305 Water Street
Summerside, P. E. I.

QUEBEC

Superior Propane Limited
193 Main Street
Bedford, Quebec

Superior Propane Limited
250 Chenux Street
Cap de la Madeleine, Quebec

Superior Propane Limited
111 Rue de la Station
Cap St. Martin, Quebec

M & M Propane Gas Co. Ltd.
All Branches
18 Rue Smith
Chicoutimi, P. Q.

Superior Propane Limited
Sud Ouest De La Riviere
La Malbaie
Cte. Charlevoix, Quebec

Superior Propane Limited
39 Pasolds Avenue
Dorion, Quebec

L & M Refrigeration
Dorval, Quebec

M. Conrad Miousse
Laverniere

Iles de la Madeleine, P. Q.

La Cie de Gas Propane de Joliette
(Div. Superior Propane Ltd.)

P.O. Box 423

Joliette, Quebec

Superior Propane Ltd.

111 Station Rd

Laval, P. Q.

Watson Propane Gas

918 St. Laurent West

Longueuil, Quebec

P. E. Bouffard

Matane, Quebec

Superior Propane Limited

C. P. 21

Montmagny, Quebec

Dyke's Caravans

St. Luc, Co. St. Jean

Montreal, P. Q.

Superior Propane Limited

P.O. Box 110

Papineauville, P. Q.

Superior Propane Limited

114 Joly

Riviere de Loup, P. Q.

Superior Pargas Limited

P.O. Box 366

Arnfield Road

Rouyn, P. Q.

Superior Propane Ltd.

Box 366

Rouyn, P. Q.

Superior Propane Ltd.

Box 240

720 Rang Street

St. Constant, P. Q.

Superior Propane Limited

St. Lin, P. Q.

Superior Propane Limited

Co. Levis

St-Romauld, P. Q.

La Cie de Gas Propane Blanchard

5300 Blvd. Levesque

St-Vincent de Paul, Quebec

Superior Propane Limited

Box 850

414 Perreault

Sept-Iles, P. Q.

Superior Propane Limited

CP. 184, 1244, Blvd. Alexandre

Sherbrooke, P. Q.

Superior Propane Limited

CP. 608, Robertson Rd.

Thetford Mines, P. Q.

City Gas & Electric Corp. Ltd.

1127 De Laverendrye

P.O. Box 1388

Trois Rivieres, Quebec

Superior Propane Limited

Route 11 CP. 10

Val David, Quebec

Superior Propane Ltd.

Box 117

Sullivan Rd.

Val d'Or, Quebec

Rol-E-Ze Reg'd

Blvd. Ste. Marie

Valleyfield, Quebec

Superior Pargas Limited

Valleyfield, Quebec

Servicing in other countries

Dometic Refrigerators are made by the famous Electrolux Company in Sweden with world wide sales and service organizations. When planning a trip abroad, request information about service points in countries you intend to visit.

When ordering parts, make sure to specify the model, serial number and gas equipment number, (28B1, 52EB1 etc.). **IMPORTANT!** While this service point list is being distributed, additional service points are being trained and selected. It is quite possible that one of these new service points is located in your area. For information, write to the distributor in your area.

East and Midwest
INSTAMATIC CORPORATION
530 McDonald Street
ELKHART, INDIANA

West Coast
WARD & SON INC.
P.O. Box 3505
City of Industry, Calif. 91744

Canada

GREG LUND PRODUCTS LIMITED
521 North Service Road, P.O. Box 220
Oakville, Ontario

Branches:

Greg Lund Products Limited
4124 A — 9th Street S. E.
Calgary, Alberta.

Greg Lund Products Limited
1780 Allard Street
Ville de Brossard, Quebec.

DOMETIC

DOMETIC

APPROVED INSTALLATION INSTRUCTIONS

L. P. GAS & ELECTRIC REFRIGERATORS

WARD & SON, INC.,
P.O. Box 3505
City of Industry, Calif. 91 744

INSTAMATIC CORPORATION
2323 Middlebury Street,
Elkhart, Indiana

GREG LUND PRODUCTS LIMITED
521 North Service Road, P.O. Box 220,
Oakville, Ontario
Canada

APPROVED INSTALLATION INSTRUCTIONS

The refrigerators outlined hereon have been certified by the American Gas Association for travel trailer or mobile home installation. This certification is contingent, however, upon proper installation.

GENERAL

The refrigerator must be installed in a substantial enclosure and must be level. A spirit level is supplied, which should be used to level the refrigerator both ways by placing it in the freezer compartment.

Good refrigerator performance is dependent upon adequate ventilation of the refrigerator enclosure. This will be achieved by following the diagrams and instructions hereon. It is important that the upper vent be installed as high as possible above the refrigerator. Three methods of installation are shown on page 3 of this folder. Each method has the inlet vent located on the side of the trailer or mobile home. The hinged louver plate is used in all three methods as the inlet vent.

Figure "B" is a typical undercounter installation for M28 and MA40 models and should only be used when minimum clearances, as shown on the back of this folder, can be obtained.

Figure "A" is recommended for best performance for the M28 or MA40 models using the hinged louver plate with the roof vent as the discharge vent located on the roof.

Figure "C" is recommended installation construction for models MB52 and M70, and is shown with the roof vent, the hinged louver plate at the bottom and the louver plate half way up the chimney.

IMPORTANT

According to the American Standard Approval Requirements the installation shall be made in such a manner as to separate the combustion system from the living space of the travel trailer or mobile home. Opening for air supply or for venting of combustion products shall have a minimum dimension of not less than $\frac{1}{4}$ inch.

When installing the refrigerator do not forget to block the space between the counter or storage area and the top of the refrigerator, otherwise heat will become trapped in this space, making the top of the refrigerator hot, thus reducing the efficiency of the unit. Also the bottom and sides must be sealed as shown in the various diagrams. All joints in the enclosure must be tight to assure no seepage of combustion products into the living area. Clearances from combustible materials must be maintained as shown on the back of this folder.

Make sure that no part of the vent chimney walls cover the cooling unit when figure "A" or "C" is used or that the louvers in the sidewall vents are not obstructed with the louver plate. An opening of at least 20" long and 9" high must be provided through the wall. A space of $4\frac{1}{2}'' \times 17''$ must be provided through the roof.

PROPER VENTING IS REQUIRED TO ENSURE BEST PERFORMANCE

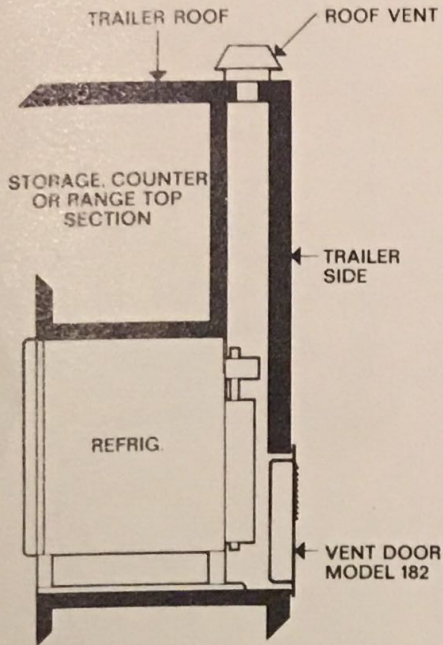


Figure "A"
Most recommended method of installing M 28, MA 40 & MA 52. Use Vent Set No. 200. (Includes one model 182 and one model 417 vent)

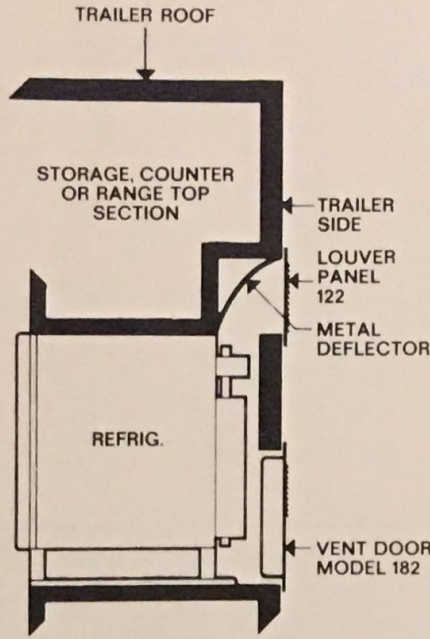


Figure "B"
Alternate method of installing M 28 and MA 40 Dometic. Use Vent Set No. 100. (Includes one model 122 and one model 182 vent)

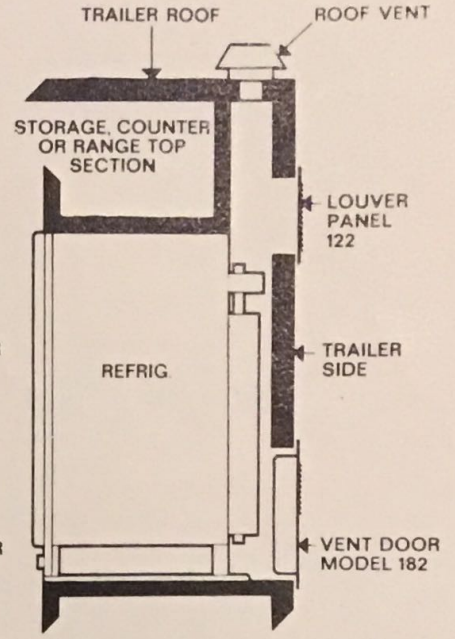
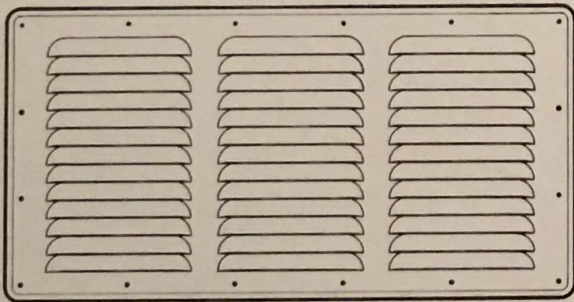
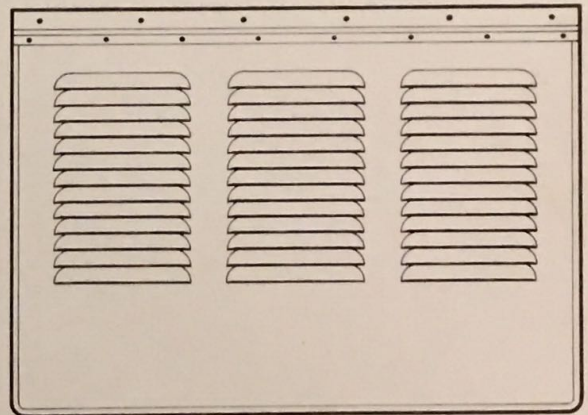


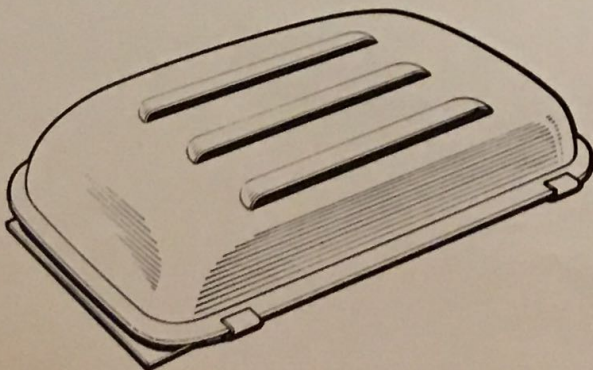
Figure "C"
Most recommended method for M 70, also will increase efficiency for MA 52. Use Vent Set No. 300. (Includes one each of 122, 183 and 417 vent)



Model 122 Louvered Plate
Actual size 23" x 12 3/4". Cutout required 21" x 10 3/4". Painted white model 122 W. Also available: Above vent with hinge. Cutout required: 12 1/8" x 21 5/8" 122 H.

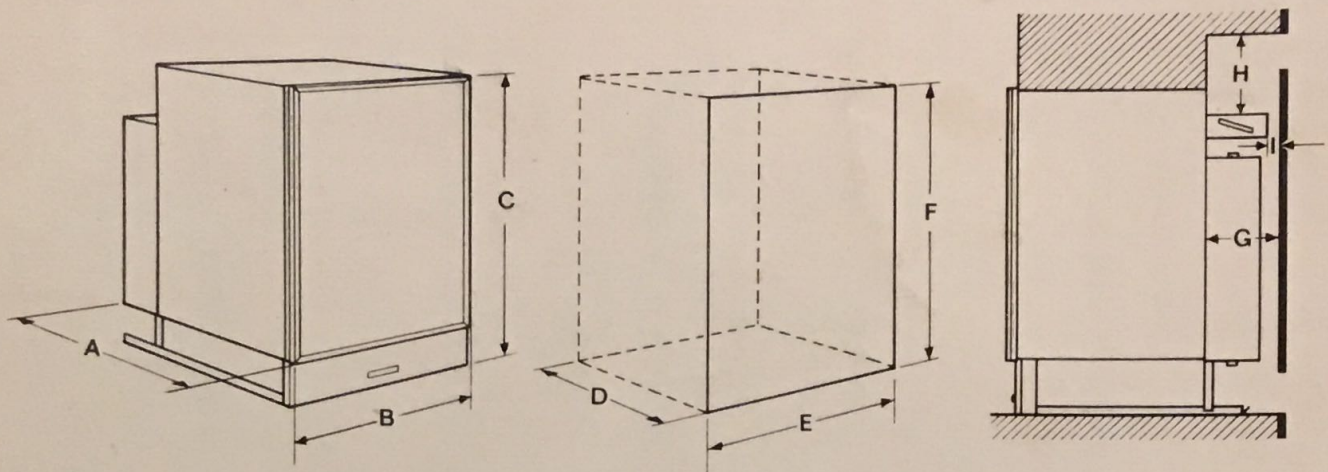


Model 182 Hinged Louvered Plate
Actual size 18" x 23". Cutout required 17 1/4" x 21 1/2". With lock model 182 L. Painted white model 182 W. Painted with lock model 182 LW.



Roof Vent Model 417
Actual size 4 1/2" high, 21" long, 9 1/2" wide. Cutout required 4 1/2" x 17". White ABS plastic top, metal base. Simple installation.

MEASUREMENTS



| Refrigerator Type | Overall dimensions | | | Door projection | Built-in space required | | | Minimum installation clearance | | |
|-------------------|--------------------------------|--------------------------------|--------------------------------|-------------------------------|--------------------------------|--------------------------------|--------------------------------|--------------------------------|---|---|
| | A | B | C | | D | E | F | G | H | I |
| M28 | 22 | 21 ³ / ₈ | 29 ⁷ / ₈ | 1 ³ / ₄ | 23 | 20 ¹ / ₂ | 29 ¹ / ₂ | 6 | 5 | 1 |
| MA40 | 23 ⁷ / ₈ | 21 ⁷ / ₈ | 32 ³ / ₈ | 1 ³ / ₄ | 24 ⁷ / ₈ | 22 ⁷ / ₆ | 32 ³ / ₈ | 6 | 7 | 1 |
| MB52 | 24 ¹ / ₈ | 22 ³ / ₈ | 40 ¹ / ₂ | 1 ³ / ₄ | 26 ¹ / ₈ | 21 ⁷ / ₈ | 40 ¹ / ₄ | 6 | 7 | 1 |
| M70 | 23 ¹ / ₈ | 24 ¹ / ₄ | 59 ⁷ / ₈ | 1 ³ / ₄ | 25 ¹ / ₂ | 23 ³ / ₄ | 59 ¹ / ₂ | 5 | 7 | 1 |

DOMETIC

DOMETIC

L.P. GAS & ELECTRIC REFRIGERATORS

INSTRUCTIONS FOR USE

**WARD & SON, INC.,
P. O. Box 3505
City of Industry, Calif. 91744**

**INSTAMATIC CORPORATION
530 McDonald Street,
Elkhart, Indiana**

**GREG LUND PRODUCTS LIMITED
521 North Service Road, P.O. Box 220,
Oakville, Ontario
Canada**

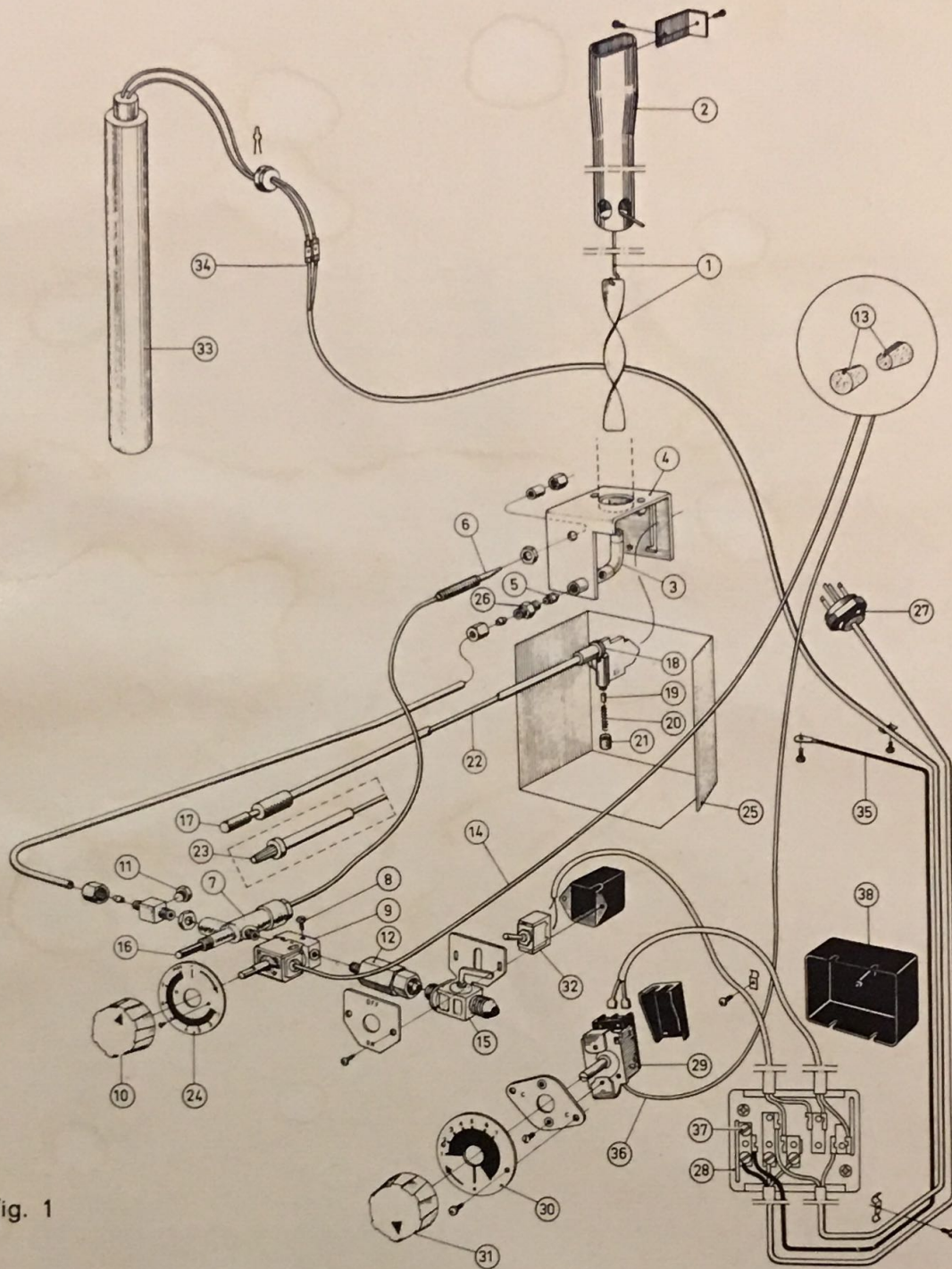


Fig. 1

Gas equipment parts

- 1. Flue baffle
- 2. Flue top
- 3. Burner tube
- 4. Burner Bracket
- 5. Jet
- 6. Feeler point
- 7. Flame failure device
- 8. By-pass screw
- 9. Gas thermostat
- 10. Thermostat knob
- 11. Pressure testing outlet
- 12. Gas filter
- 13. Cork plugs for feeler tube inlet

- 14. Thermostat feeler tube
- 15. Gas cock
- 16. Push-button for lighting
- 17. Turning knob for lighter
- 18. Lighter wheel
- 19. Lighter flint-stone
- 20. Spring for lighter
- 21. Screw cap for lighter
- 22. Lighter shaft
- 23. Alternative turning knob for lighter
- 24. Thermostat dial
- 25. Flame blow-out guard
- 26. Nipple

Electric equipment parts

- 27. Wall plug with ground pin
- 28. Junction box
- 29. Electric thermostat
- 30. Thermostat dial
- 31. Thermostat knob
- 32. Switch
- 33. Heater
- 34. Connector
- 35. Ground wire
- 36. Thermostat feeler tube
- 37. Terminal screws
- 38. Junction box cover

INSTALLATION OF REFRIGERATOR IN TRAILER

The refrigerator must be installed on a solid floor and must be level. With the trailer carefully leveled, the refrigerator should level both ways in the freezer compartment. (More about leveling is to be found under the heading "How to start the refrigerator".)

Free air circulation over the fins of the cooling unit is essential. Clearances around the refrigerator should be in accordance with the label attached to the inside of the front access panel.

In case detailed instructions on the installation and connection to the gas supply are required, contact your dealer or distributor.

To change the door opening from left to right or vice versa

unscrew and remove the hinge bolts (1), Fig. 2. Transfer the lower nylon bushing (2) and the washers (3) and (4) (be sure to place them in the correct order) to the opposite end of the door frame. Insert the bolts through the opposite hinges (7) and screw in place. The small hinge pin (8) with its chains is then transferred to the opposite top hinge to be used for securing the door during traveling.

Check that the door closes easily and that the gasket seals well on all sides. If necessary, adjust by resetting the top hinge.

To change the door panel

unscrew the top hinge bolt (1), Fig. 2. Pull out the bolt and lift off the door. Remove the screws holding the bottom member of the aluminium door frame (5). Pull out the outer door panel (6), replace panel, reassemble and refit the door.

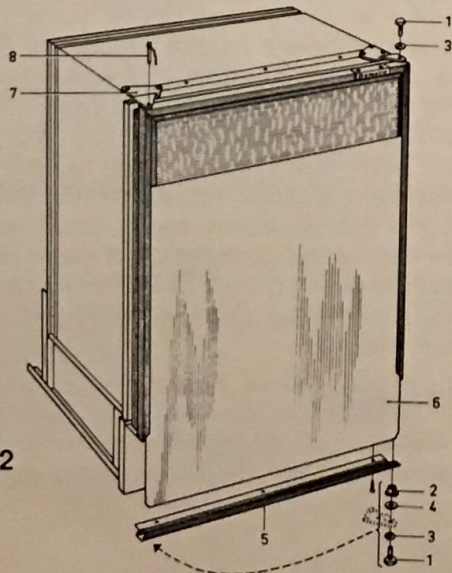


Fig. 2

HOW TO START THE REFRIGERATOR

Leveling

In the boiler ammonia vapour is distilled from an ammonia-water mixture and carried to the finned condenser, where it liquifies. The liquid flows to the radiator, where it creates cold by evaporating into a circulating flow of hydrogen gas. If the radiator coil is not level the liquid readily accumulates, forming pockets which can impair the gas circulation or even block it, in which case, of course, the cooling will stop.

When the trailer is stationary it must be leveled to be comfortable to live in. If the refrigerator is properly installed, i.e. the freezer shelf parallel to the floor, the refrigerator will then also perform well. To check this a bubble level is supplied with every Dometic refrigerator. The level should be placed on the freezer shelf. Bubble position is most conveniently checked with a small mirror.

When the trailer is on tow, the continuous rolling and pitching movement will not affect the refrigerator as long as the movement passes either side of level, but when the trailer is temporarily parked this sensitivity of the refrigerator should be remembered. So, once more, before you start the refrigerator make sure it is level.

Gas Operation (Fig. 3)

1. To start the refrigerator, turn the gas valve lever A to open position (lever parallel to gas stream) and turn the thermostat knob B to setting 4. (On refrigerators for combination electric/gas operation the gas valve cannot be fully opened unless the electric switch E is in the OFF-position).
2. Press the red button C of the automatic flame failure device and after about 15 seconds, turn the lighter rod D clockwise with a rapid movement. This will create a spark which lights the burner.
3. After the burner is lit, keep the button C pressed for an additional 15 seconds.
4. Release the button C and check that the burner is operating. If not, repeat the lighting procedure.

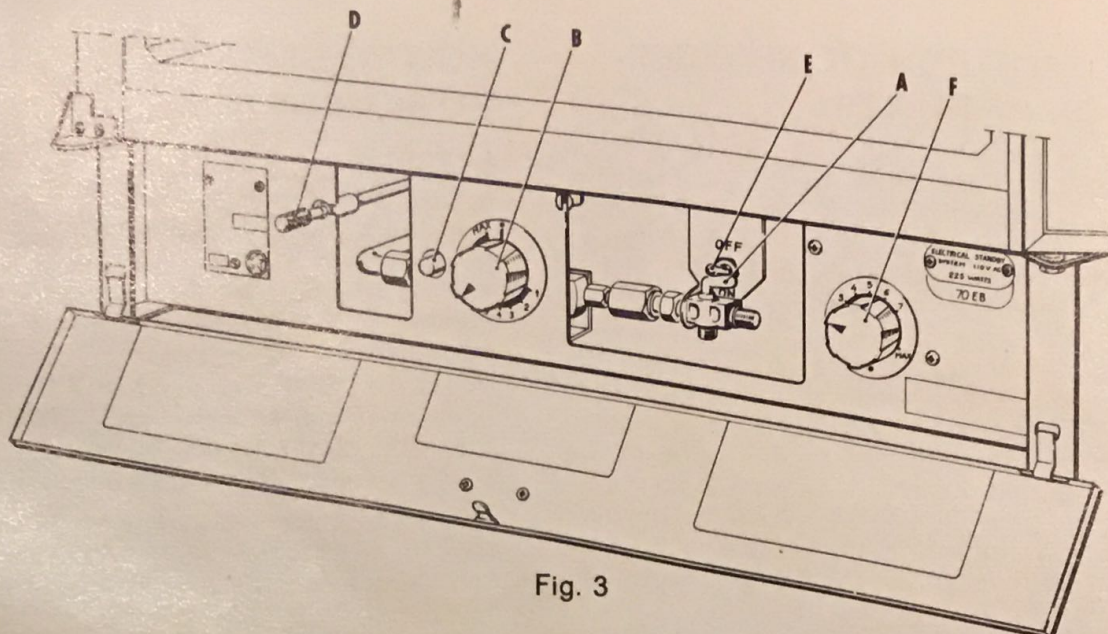


Fig. 3

Electric Operation

1. Check that the connection cable is plugged to the supply socket.
2. To start the refrigerator, turn the gas valve lever A to the shut-off position and turn the switch E to ON.
3. Turn the electric thermostat knob F to setting 4.

HOW TO USE THE REFRIGERATOR

Food storage compartment

The food storage compartment is completely closed and unventilated, which is necessary to maintain the required low temperature for food storage. Consequently foods having a strong odour or liable to absorb odours should be covered. Vegetables, salads, etc., should be covered to retain their crispness. The coldest positions in the refrigerator are underneath the cooling radiator and at the bottom of the refrigerator, and the least cold positions are on the upper door shelves. This should be considered when different types of food are placed in the refrigerator.

Defrosting

To keep cool without undue energy consumption, the refrigerator should be defrosted before an excessive amount of frost has deposited on the radiator cooling fins. To defrost turn the knob of the thermostat to zero, then the frost will melt and the resulting water will be collected in the drip tray. The drip tray should then be emptied and the thermostat reset to its

normal position. The ice trays should be emptied and washed and refilled with fresh water after defrosting.

The above does not apply to refrigerators equipped with the Dometic automatic defrosting device, which makes a quick defrost about once a day without influencing the frozen food storage compartment or frozen foods contained in it. The only thing to see to, is to empty the drip tray at regular intervals.

Frozen Food Storage Compartment

The ice trays should be placed in direct contact with the freezer shelf for fastest ice making. Quick frozen soft fruits and ice cream should be placed at the coldest part of the compartment which is at the bottom of the aluminium liner or, in models with a shelf, on this or just below it. Frozen vegetables, on the other hand, may be stored in any part of the compartment.

The compartment is not designed for the deep or quick freezing of foodstuffs. Meat or fish foods, whether raw or prepared, and provided they are precooled in the refrigerator, can however also be stored in the frozen food storage compartment. They can then be stored about three times as long as in the normal temperature compartment. To prevent drying out, keep food in covered dishes, in plastic bags or wrapped in aluminium foil.

Ice Making

Ice cubes can be made in the ice trays which should be filled with water to within

1/4 inch (5 mm) from the top. To release an ice tray after freezing, pull its handle forwards and upwards. To get the ice cubes from the tray, place it upside down on a plate and allow cold water to run over the tray for a few moments, until the cubes come loose. Cubes not required should be replaced in the tray. Refill the tray with water, dry the outside, and replace it in the frozen storage compartment.

Ice making is accelerated if the thermostat is set to MAX. It is a good idea to do this a few hours before an anticipated need for ice, but be sure to turn back the thermostat to its original setting when the ice is formed, or the foodstuffs in the cabinet may become frozen hard. The ice making time is also reduced if unused cubes are left in the ice trays when they are refilled with water.

To shut down the cabinet

To shut down the cabinet temporarily, set the thermostat to zero and turn off the gas tap. If the cabinet is not in operation, over a period of weeks, it should be emptied and cleaned, and the door left ajar. The ice trays should also be dried and kept outside the cabinet.

Cleaning

To clean the interior lining of the cabinet, use lukewarm weak soda solution. The evaporator, ice trays, and shelves must, however, be cleaned with warm water only. Never use strong chemicals or abrasives to clean these parts, or the protective surface will be spoiled. It is important always to keep the cabinet clean.

GAS EQUIPMENT

(Fig. 1)

Flue top and baffle

The flue baffle (1) is suspended from the top (2) and must be in position in the central tube of the cooling unit.

The burner and the by-pass screw

The burner (3) must be centrally located under the boiler tube.

To change or clean the burner jet (5), first loosen the gas pipe from the burner, then unscrew the nipple (26) from the burner base. The jet is screwed into this nipple.

On delivery the burner is normally fitted with a jet for Propane gas, and when using Butane one must fit another jet size according to the spare parts list. Sizes are stamped on the jet.

The orifice in the jet is very small. It must never be cleaned by means of a pin or similar instrument, as this would enlarge or damage the orifice. Should, for some reason, the jet require cleaning it should be blown through or washed in alcohol.

The by-pass screw is accessible at the top of the thermostat (see illustration).

The gas thermostat

The refrigerator is equipped with a thermostat (9) which is regulated by turning the knob (10) to different settings in order to obtain the desired controlled cabinet temperatures.

At zero (indicated by a dot) Under normal operating conditions the thermostat valve remains closed and the burner is running continuously at the by-pass rate, just enough to keep the burner lit. The refrigerator will defrost at this setting.

At "MAX" The thermostat valve remains open and the burner is running continuously at full gas rate. Lowest cabinet and freezer temperatures are obtained at this setting.

Between these two extremes is a numbered portion of the dial over which various controlled temperatures can be obtained, the higher the number, the lower the temperature.

As soon as the required cold temperature inside the cabinet is reached, the thermostat cuts the burner main flame leaving the by-pass flame to keep the safety valve open.

Flame blow out

If trouble is encountered with the flame blowing out under specially windy conditions, try to avoid the wind blowing against the wall where vent outlets are located. If the trouble persists, set the thermostat on MAX. This later measure can of course only be temporary such as when the caravan is on tow, for after a day or so at this setting the foodstuffs in the cabinet will freeze.

Periodic maintenance

(Fig. 1)

Once or twice a year depending on use, it is necessary to clean and adjust the burner assembly. Proceed as follows:

1. Remove the flame blow out guard (25)
2. Disconnect the gas pipe from the nipple (26)
3. Remove the nipple with the jet (5)
4. Clean the jet with alcohol and compressed air ONLY
5. Clean the burner tube (3) and especially the gauze with a brush. Blow with compressed air.
6. Reassemble
7. Check the burner with full flame (turn thermostat to "MAX" and with by-pass flame (if the refrigerator has been working for a few hours and the thermostat bulb is colder than about 6°C or 43°F the transition from full flame to by-pass can be observed if one turns the thermostat knob slowly from "MAX" to zero)

At the same time, check the flue baffle: that it is clean and reasonably free from soot. Heavy soot formation indicates improper functioning of the burner. Clean baffle and flue. For details on cleaning see under heading "odour from fumes", section d. Further, clean cooling unit and floor under refrigerator.

The entire gas installation should be checked for leaks at intervals. Test all pipe connections with soapy water, not with an open flame.

The refrigerator gas equipment must not be subjected to internal pressure exceeding 22 inches pressure of water column.

How to replace the thermo-element of the Junker flame failure device

(Fig. 4)

1. Unscrew plug A from the valve housing B.
2. Loosen the position nut C and lock nut D.
3. Screw off nut C and release the thermo-element E from holder F. Remove nut D.
4. Bend the new thermo-element to the same shape as the old one. Screw nut D onto the new element.
5. Put the feeler through the hole in holder F, re-fit the distance element G and screw the position nut home against a shoulder on the feeler itself, making sure the nut D is free during this operation.
6. Tighten the lock nut D against the holder with a spanner, if necessary holding nut C with another spanner. Make sure the feeler is located as in fig. 4.
7. Screw plug A onto the valve housing taking care not to damage the threaded hole in the aluminium cap of the housing. Plug A must be properly tightened to the valve housing to ensure good contact between the thermo-element and the magnetic coil within the housing.

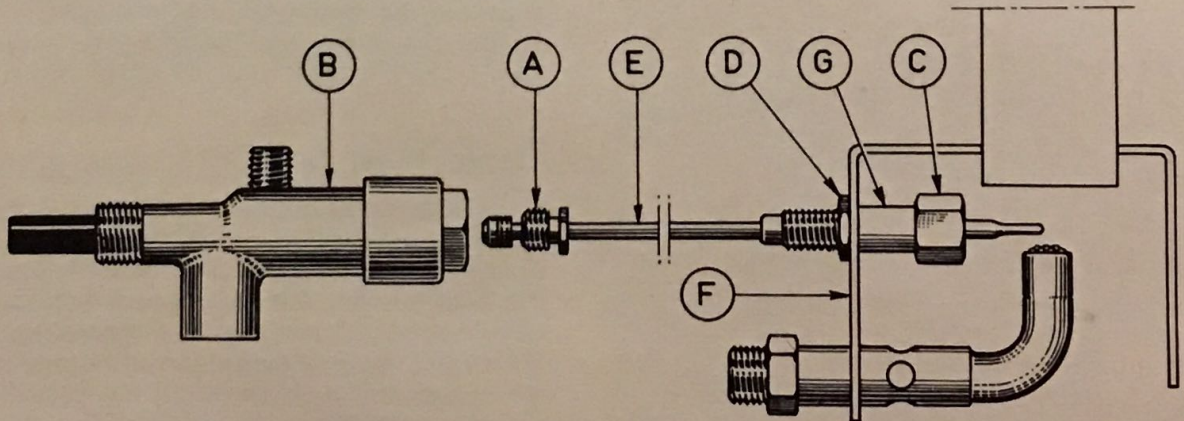


Fig. 4

The lighter (Fig. 1)

If, after some time of use, the sparks from the lighter weaken, the flintstone will probably have to be replaced. To do this take out the lighter by first loosening the knurled lock nut behind the front plate—if the turning knob is of type (17). A turning knob of type (23) is spring loaded and need only be pressed inwards to allow for disengagement of the lighter from the front plate.

The flint housing, just under the serrated wheel, is covered by a knurled cap, easily unscrewed by hand. Be sure not to lose the small helical spring also contained in the housing. Replace the flintstone and refit the lighter in position, making sure its head enters the slot beside the burner with the serrated wheel upwards. Secure the lighter (17) to the front plate by tightening the lock nut, checking that this does not deform the front plate or jam the lighter knob and shaft. If, after several years of use, the lighter does not function properly even with a new flintstone, the serrated wheel may be worn out and should be replaced.

ELECTRIC EQUIPMENT (Optional)

Heater (Fig. 5)

On electrically operated refrigerators heat is supplied by an electric heater (A) mounted on the boiler of the cooling unit inside the insulated cover (B).

To replace the heater, first, of course, check that the wall plug is disconnected, then remove the shutter (C) and enough rock wool insulation around the heater to make possible its extraction. Then bend aside the wire which stops the heater from inadvertently leaving its position, disconnect the electric connection at the boiler cover, and extricate the heater. Make sure the new heater is fully inserted before bending back the lock wire (with caution, or it might snap off). Be careful to put the insulation back in its proper place before refitting the shutter. Note: the edges of the opening in the cover may be sharp.

Switch (Fig. 1)

The electric control device also comprises an on-off switch (32) which must be in the OFF position before the gas cock (15) can be opened. This prevents the gas burner and the electric heater from functioning at the same time.

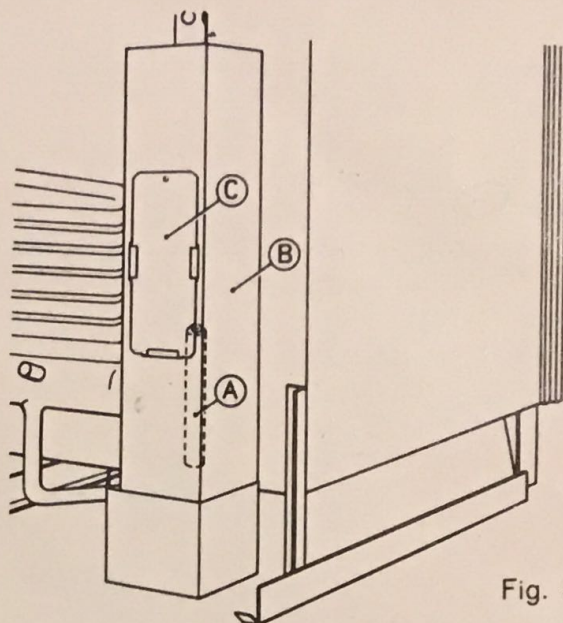


Fig. 5

Electric thermostat

The temperature in the refrigerator can be regulated by turning the thermostat knob (31) to higher or lower numbers. Although the exact setting is not critical, it will usually be found suitable to choose a setting at which the frost, which gradually forms on the cooling evaporator is just maintained in dry condition.

It will be necessary to set the thermostat knob one or two numbers higher when the ambient temperature becomes higher or the load unusually heavy.

If less cooling is required, a lower setting should be chosen. No attempts at adjusting the thermostat should be made.

FAULT TRACING (Fig. 1)

The refrigerator does not freeze satisfactorily

Causes and remedies

- Jet orifice clogged. Disengage gas pipe from burner. Unscrew nipple (26) with jet (5) and blow clear and wash in alcohol. Do not use wire or pin to clean orifice.
- Check the leveling of the refrigerator.
- Flame has gone out. Remedy: 1) Gas in bottle is used up — refill. 2) Feeler point of the flame failure device is not heated enough by flame — check against the fig. 4. 3) Clogged by-pass screw (8) — clean or exchange it.
- Air circulation around cooling unit is restricted. Be sure that refrigerator is properly ventilated.

- e. The evaporator is heavily coated with frost. Defrost by setting thermostat to zero.
- f. Flue baffle (1) not inserted into the central tube of the cooling unit.
- g. The thermostat is incorrectly used. See paragraph on thermostat. In hot weather the setting should be changed one or two numbers "colder" than usual.
- h. Gauze in burner head clogged. Clean.
- i. Burner damaged. Replace.
- j. Burner may be dislocated. Relocate.
- k. Wrong gas pressure at the burner. Have pressure checked at burner and at gas bottle. Pressure at burner must not fall below 11" W.G. when thermostat is set on MAX.
- l. Improper operation of the thermostat. Thermostat will have to be exchanged.

Odour from fumes

Causes and remedies

- a. The flame touches side of the boiler due to dislocation of the burner. Relocate. Burner dislocation may also cause smoke and discoloring of walls and ceiling.
- b. Burner damaged. Replace.
- c. The flame touches flue baffle. Remedy:
1) Burner damaged. Replace. 2) Flue baffle too low. Correct the position of the baffle.
- d. The flue tube is dirty. Clean flue as follows: Cover burner and jet. Remove flue top and baffle. Clean flue with special flue brush. Clean baffle before putting back in place.

All the above instructions are to be followed closely. The refrigerator is quality-guaranteed. However, we are not responsible for any failures caused by improper adjustments and unfavorable installation conditions. Contact service point or distributor service dept. for assistance. See Service Point List.

DOMETIC

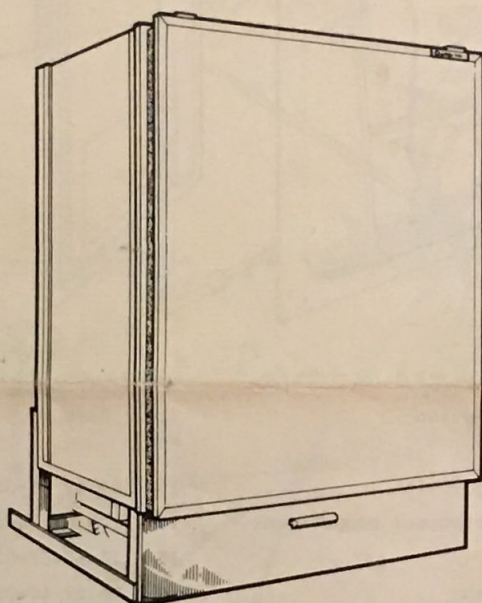
Dometic SERVICE

When ordering spare parts always state:

MODEL • QUANTITY • PART NUMBER • DESCRIPTION

For electric details also:

VOLTAGE • WATTAGE



Product No.

926 0801

926 0804

926 0805

926 0806

926 0807

926 0808

926 0814

(see page 2)

SPARE PARTS LIST

REFRIGERATOR
for trailer installation

MA40c

Replaces earlier Spare Parts List for MA40c
edition 1 dated August 1968

Edition **2**
November 1968
Publication No.
3424/Service

EAST - MIDWEST

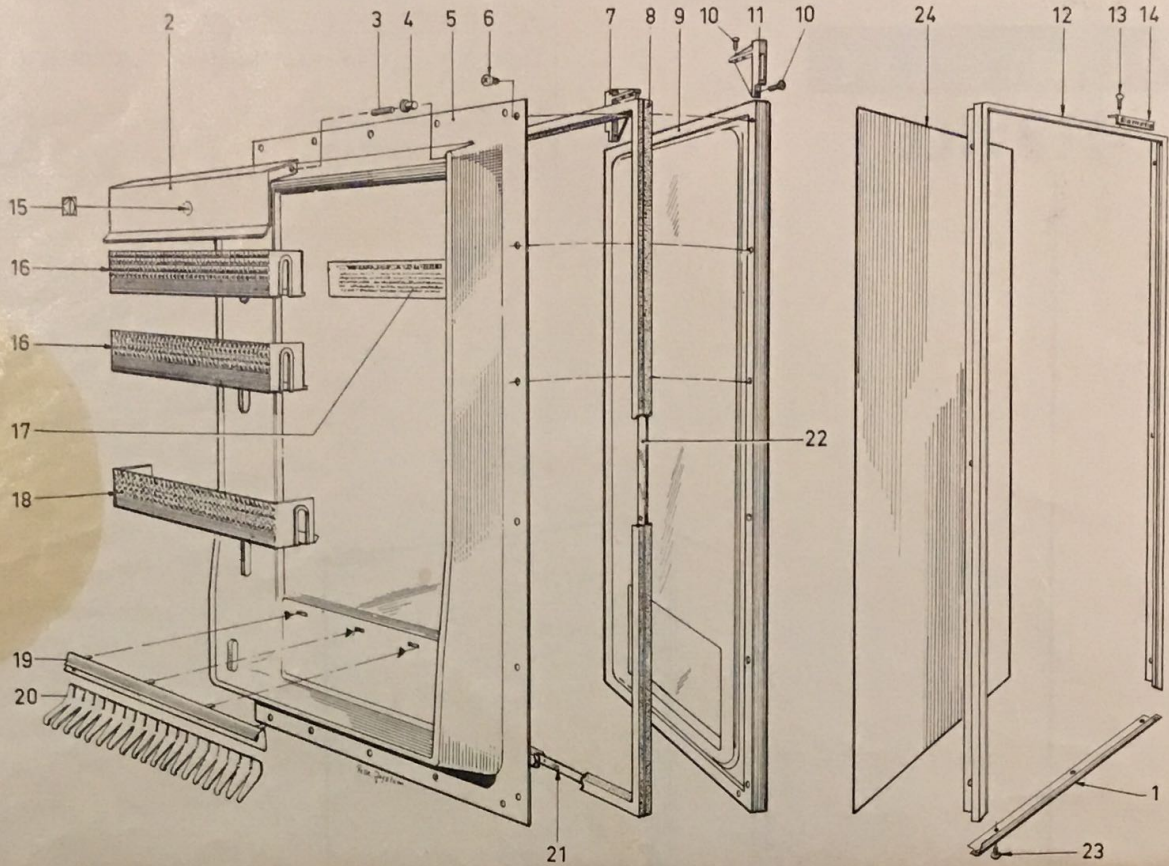
INSTAMATIC CORPORATION
2323 Middlebury Street, P.O. Box 456
Elkhart, Indiana 46514

WEST COAST

WARD & SON, INC.,
15343 Proctor Avenue, P.O. Box 3505
City of Industry, Calif. 91744

CANADA

GREG LUND PRODUCTS LIMITED
521 North Service Road, P.O. Box 220
Oakville, Ontario

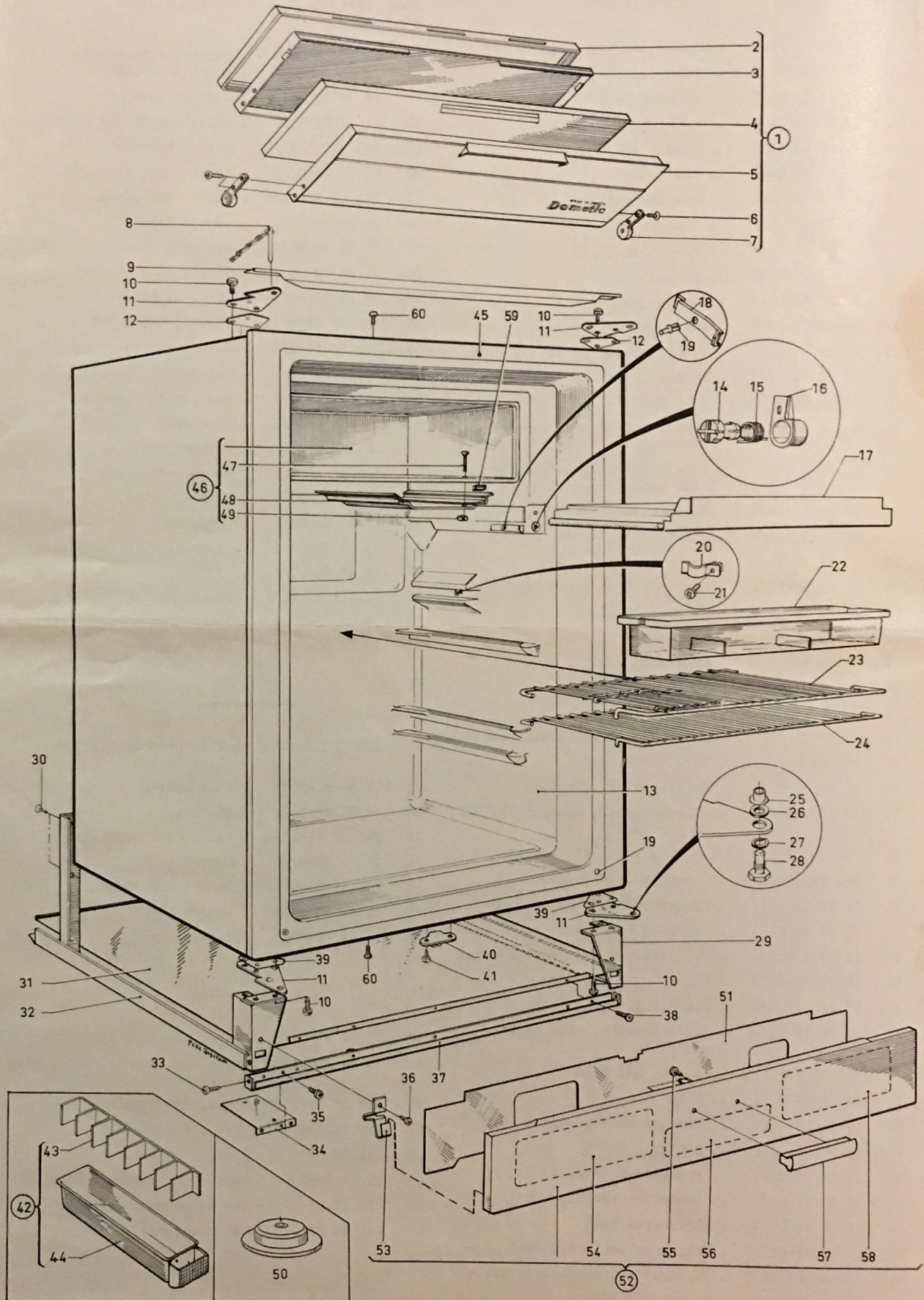


| Item No. | Part No. | Description | Item No. | Part No. | Description |
|----------|----------------|---|----------|----------------|--|
| 1 | 200 09 33-00/8 | Door frame, lower | 16 | 29 12 85-00/5 | Door compartment, upper |
| 2 | 16 89 42-00/1 | Shutter for butter compartment | 17 | 200 08 88-00/4 | Instruction label |
| 3 | 17 05 90-00/4 | Hinge pin | 18 | 16 58 07-01/7 | Door compartment, lower |
| 4 | 17 05 89-00/6 | Bearing bush | 19 | 16 89 40-00/5 | Fastening strip |
| 5 | 200 09 35-00/3 | Door pan (order item 17 at the same time) | 20 | 16 89 29-00/8 | Bottle holder |
| 6 | 729 52 79-51/2 | Screw, LKXS B6x10 | 21 | 200 28 26-00/2 | Reinforcing strip, horizontal |
| 7 | 200 09 68-00/4 | Hinge bushing, right hand | 22 | 200 28 25-00/4 | Reinforcing strip, vertical |
| 8 | 200 05 68-02/8 | Door gasket | 23 | 729 52 77-51/6 | Screw, LKXS B6x8 |
| 9 | 200 09 31-00/2 | Door sealing plate with insulation | 24 | 200 28 71-00/8 | Door panel, beige, for 926 08 01 |
| 10 | 729 72 79-01/5 | Screw KFXS B6x10 | | 200 28 71-01/6 | Door panel, brown, for 926 08 04 |
| 11 | 200 09 67-00/6 | Hinge bushing, left hand | | 200 28 71-02/4 | Door panel, turquoise, for 926 08 05 (out of production) |
| 12 | 200 09 32-00/0 | Door frame, upper | | 200 28 71-03/2 | Door panel, avocado, for 926 08 06 |
| 13 | 729 72 23-03/9 | Screw, KFXS B4x8 | | 200 09 37-07/4 | Door panel, stainless, for 926 08 07 |
| 14 | 200 09 98-00/1 | Name plate (Dometic) | | | |
| 15 | 17 14 45-00/0 | Emblem | | | |

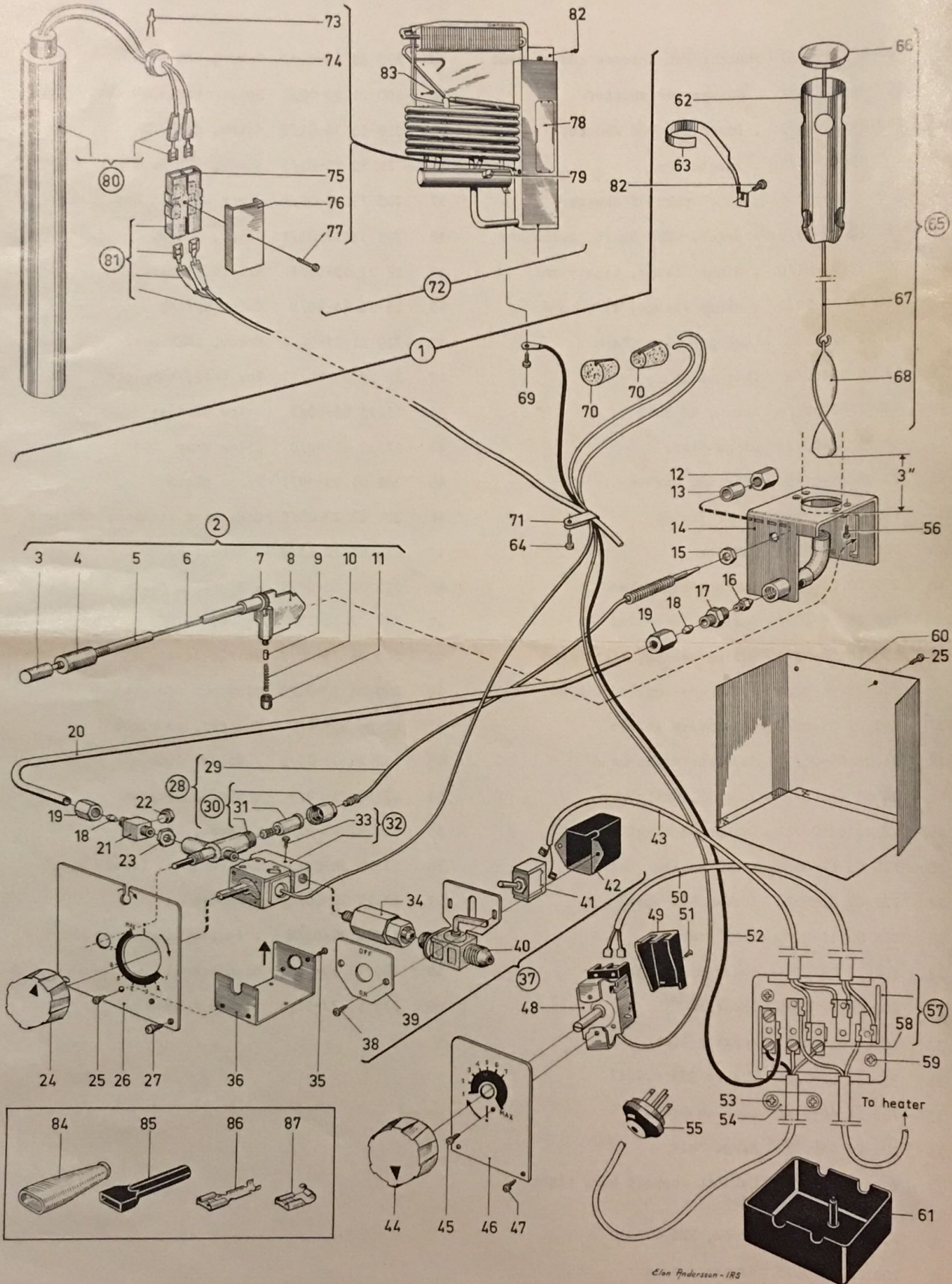
| Product No. | Door panel | Market |
|--------------|---------------|--------|
| 926 08 01 | Beige | USA |
| 926 08 04 | Brown | USA |
| 926 08 05 x) | Turquoise | USA |
| 926 08 06 | Avocado | USA |
| 926 08 07 | Stainless | USA |
| 926 08 08 | Without panel | USA |
| 926 08 14 | Without panel | Canada |

x) = Out of production

CABINET



| Item No. | Part No. | Description | Item No. | Part No. | Description |
|----------|----------------|---------------------------------|----------|----------------|------------------------------|
| 1 | 200 09 18-01/7 | Shutter for freezer compartment | 33 | 729 53 40-01/7 | Screw, RXS B8x10 |
| 2 | 200 09 17-00/1 | . Gasket for shutter | 34 | 200 21 00-00/2 | Holder for instruction plate |
| 3 | 200 09 14-00/8 | . Inner part of shutter | 35 | 729 53 36-01/5 | Screw, RXS B8x6 |
| 4 | 200 09 15-00/5 | . Insulation | 36 | 729 52 75-01/5 | Screw, RXS B6x6 |
| 5 | 200 09 13-00/0 | . Outer part of shutter | 37 | 200 28 38-00/7 | Front support bar |
| 6 | 729 72 83-40/5 | . Screw, KFXS B6x16, stainless | 38 | 729 52 77-01/1 | Screw, RXS B6x8 |
| 7 | 200 28 07-01/0 | . Hinge flange, right-hand | 39 | 17 01 45-00/7 | Friction washer |
| | 200 28 07-00/2 | . Hinge flange, left-hand | 40 | 15 26 88-00/8 | Catch spring |
| 8 | 16 81 17-01/8 | Lock pin with chain | 41 | 729 52 77-51/6 | Screw, LKXS B6x8 |
| 9 | 17 20 98-00/6 | Trim strip | 42 | 27 28 59-00/0 | Ice tray, complete |
| 10 | 724 13 27-01/9 | Screw, RX 5x12 | 43 | 15 73 03-00/9 | . Ice divider |
| 11 | 17 29 72-00/2 | Hinge plate | 44 | 27 30 62-00/0 | . Ice tray |
| 12 | 17 01 45-01/5 | Friction washer | 45 | 200 09 03-00/1 | Front plate |
| 13 | 200 09 12-00/2 | Inner lining | 46 | 200 09 23-00/9 | Cover for freezer, complete |
| 14 | 200 28 08-00/0 | Carrier | 47 | 724 33 32-13/3 | . Screw, FZ 5x22 |
| 15 | 200 28 09-01/6 | Spring, right-hand | 48 | 200 09 22-00/2 | . Mounting plate |
| | 200 28 09-00/8 | Spring, left-hand | 49 | 731 23 14-13/7 | . Nut, B6LM5 |
| 16 | 200 28 06-01/2 | Spring casing, right-hand | 50 | 200 28 75-00/9 | Spirit level |
| | 200 28 06-00/4 | Spring casing, left-hand | 51 | 200 28 32-01/8 | Blow out protection |
| 17 | 200 09 28-00/8 | Insulation shield | 52 | 17 24 55-04/0 | Shutter, complete |
| 18 | 34 05 68-01/3 | Support, right-hand | 53 | 200 28 33-00/8 | . Holder link |
| | 34 05 68-00/5 | Support, left-hand | 54 | 17 32 23-00/9 | . Wiring diagram |
| 19 | 27 43 63-00/1 | Expansion rivet | 55 | 729 52 75-01/5 | . Screw, RXS B6x6 |
| 20 | 200 05 47-00/6 | Catch spring | 56 | 17 10 38-00/3 | . Clearances label |
| 21 | 729 52 81-65/3 | Screw, RXS B6x12 | 57 | 17 10 20-00/1 | . Handle |
| 22 | 200 09 19-00/7 | Drip tray | 58 | 17 16 96-00/8 | . Instruction label |
| 23 | 200 28 18-00/9 | Shelf upper, gated | 59 | 200 09 69-00/2 | Distance piece |
| 24 | 200 28 10-00/6 | Shelf lower | 60 | 729 52 77-51/6 | Screw, LKXS B6x8 |
| 25 | 17 07 96-00/7 | Bearing bush | | | |
| 26 | 734 11 53-01/8 | Washer BRB 6.4x12 | | | |
| 27 | 735 11 60-01/0 | Lock washer 7.1 | | | |
| 28 | 200 05 44-00/3 | Hinge bolt | | | |
| 29 | 200 28 34-00/5 | Cabinet support bar, right-hand | | | |
| 30 | 729 54 08-01/2 | Screw, RXS B10x10 | | | |
| 31 | 200 28 13-00/0 | Bottom shield | | | |
| 32 | 200 28 35-00/3 | Cabinet support bar, left-hand | | | |



| Item No. | Part No. | Description | Item No. | Part No. | Description |
|----------|----------------|---|----------|----------------|---|
| 1 | 17 33 57-00/5 | Equipment 40EB2, compl. | 48 | 17 28 21-01/9 | . Electric thermostat Ranco A 52-104 |
| 2 | 17 07 86-00/8 | . Spark lighter, compl. | 49 | 17 28 22-00/9 | . Contact cover |
| 3 | 17 07 85-00/0 | .. Turning knob | 50 | 17 31 93-01/2 | . Cable compl. for thermostat |
| 4 | 27 01 31-00/6 | .. Locking sleeve | 51 | 729 52 21-01/9 | . Screw, RXS B4x6 |
| 5 | 17 07 82-00/7 | .. Guide tube | 52 | 17 31 40-01/3 | . Earth wire, compl. |
| 6 | 17 07 83-00/5 | .. Shaft | 53 | 729 52 83-01/9 | . Screw, RXS B6x16 |
| 7 | 27 01 30-00/8 | .. Knurled wheel | 54 | 56 10 14-01/0 | . Saddle clip |
| 8 | 27 05 17-00/6 | .. Support | 55 | 17 10 34-00/2 | . Electric plug |
| 9 | 27 01 27-00/4 | .. Flint for lighter | 56 | 14 89 78-00/0 | . Screw, RX 1/4"x5/8" |
| 10 | 27 01 37-00/3 | .. Spring | 57 | 58 15 57-70/9 | . Terminal block |
| 11 | 17 07 81-00/9 | .. Spring holder | 58 | 723 22 50-10/5 | .. Screw, KCS 3.5x5 |
| 12 | 17 08 27-00/0 | . Union nut | 59 | 729 52 75-01/5 | . Screw, RXS B6x6 |
| 13 | 17 33 44-00/3 | . Spacer sleeve 10 mm | 60 | 17 21 84-00/4 | . Gas burner cover |
| 14 | 17 32 21-00/3 | . Burner | 61 | 58 15 65-71/2 | . Cover with screw |
| 15 | 16 93 86-00/0 | . Nut, M8x1 | 62 | 17 20 72-00/1 | . Flue only |
| 16 | 17 33 45-07/5 | . Burner jet 38 for propane operation (17 33 45-06/7 Burner jet 32 for butane operation) | 63 | 16 57 69-00/1 | . Support for flue |
| 17 | 17 32 22-00/1 | . Connection piece | 64 | 729 52 79-01/7 | . Screw, RXS B6x10 |
| 18 | 17 32 13-00/0 | . Olive | 65 | 17 29 78-00/9 | . Baffle, compl. |
| 19 | 17 32 15-00/5 | . Union nut | 66 | 17 29 74-00/8 | .. Flue cap |
| 20 | 17 33 64-00/1 | . Gas inlet pipe, L = 16 1/2" | 67 | 17 29 77-00/1 | .. Support wire for baffle |
| 21 | 17 32 14-00/8 | . Connection piece | 68 | 15 47 94-00/2 | .. Baffle |
| 22 | 16 93 80-00/3 | . Plug screw | 69 | 724 12 85-01/9 | . Screw, RX 4x6 |
| 23 | 17 33 66-00/6 | . Lock nut | 70 | 15 02 45-00/9 | . Plug |
| 24 | 17 26 91-00/8 | . Thermostat knob | 71 | 29 18 90-00/2 | . Cable clip |
| 25 | 729 52 75-01/5 | . Screw, RXS B6x6 | | | |
| 26 | 17 27 94-02/6 | . Thermostat bracket with scale | 72 | 928 31 35-00/3 | Cooling unit 313A1, compl. without heater |
| 27 | 729 53 36-01/5 | . Screw, RXS B8x6 | 73 | 17 06 92-00/8 | . Lock spring |
| 28 | 17 07 91-00/8 | . Safety valve, compl. | 74 | 17 06 91-00/0 | . Bushing |
| 29 | 16 93 72-00/0 | .. Thermo-couple element TE12D3Z, L = 17 3/4" | 75 | 240 02 97-00/4 | . Connection block |
| 30 | 17 07 55-00/3 | .. Safety valve STE 1/6-54 | 76 | 17 34 55-00/7 | . Cover |
| 31 | 200 09 99-00/9 | ... Safety valve magnet | 77 | 729 52 83-01/9 | . Screw, RXS B6x16 |
| 32 | 17 27 92-00/4 | . Gas thermostat, Ranco V 35 | 78 | 17 34 30-00/0 | . Cover |
| 33 | 17 28 19-01/3 | .. By-pass screw S22 | 79 | 17 32 28-00/8 | . Filling cap |
| 34 | 17 28 10-00/4 | . Gas filter with nipple and nut | | | |
| 35 | 14 96 00-00/9 | . Screw | | | |
| 36 | 17 27 93-02/8 | . Angle bracket | | | |
| 37 | 17 31 14-00/0 | . Cut-off valve, with switch and cable | 80 | 17 06 77-01/7 | Heater, compl., 110V, Type 310 |
| 38 | 729 52 77-01/1 | .. Screw, RXS B6x8 | 81 | 17 32 26-00/2 | Cable for heater, compl. with connection block |
| 39 | 17 16 27-01/1 | .. Sign | 82 | 729 54 08-01/2 | Screw, RXS B10x10 |
| 40 | 17 31 00-00/9 | .. Cut-off valve, with holder | 83 | 729 52 79-01/7 | Screw, RXS B6x10 |
| 41 | 17 21 68-00/7 | .. Switch | 84 | 240 02 98-00/2 | Protection sleeve |
| 42 | 17 31 01-00/7 | .. Protection cover | 85 | 29 28 95-00/0 | Protection sleeve |
| 43 | 17 32 27-00/0 | .. Cable for switch, compl. | 86 | 760 38 57-00/9 | Tab connector, straight |
| 44 | 17 26 91-00/8 | . Thermostat knob | 87 | 760 48 55-00/2 | Tab connector, angle |
| 45 | 14 93 91-01/3 | . Screw, RX no. 6 BAx3/16" | | | |
| 46 | 200 09 45-00/2 | . Thermostat bracket with scale | | | |
| 47 | 729 53 36-01/5 | . Screw, RXS B8x6 | | | |

820 46 52