



Dometic

When ordering spare parts always state:

MODEL · QUANTITY · PART NUMBER · DESCRIPTION

For electric details also:

VOLTAGE · WATTAGE



Product No.	Volts	Reigniter
926 72 01	120	Without reigniter
926 72 02	12/120	Without reigniter
926 72 03	120	With reigniter
926 72 04	12/120	With reigniter

SPARE PARTS LIST

REFRIGERATOR FOR LP-GAS
AND ELECTRIC OPERATION.

RM1300

SS-R47

820 48 29-00

EAST OF ROCKY MOUNTAINS

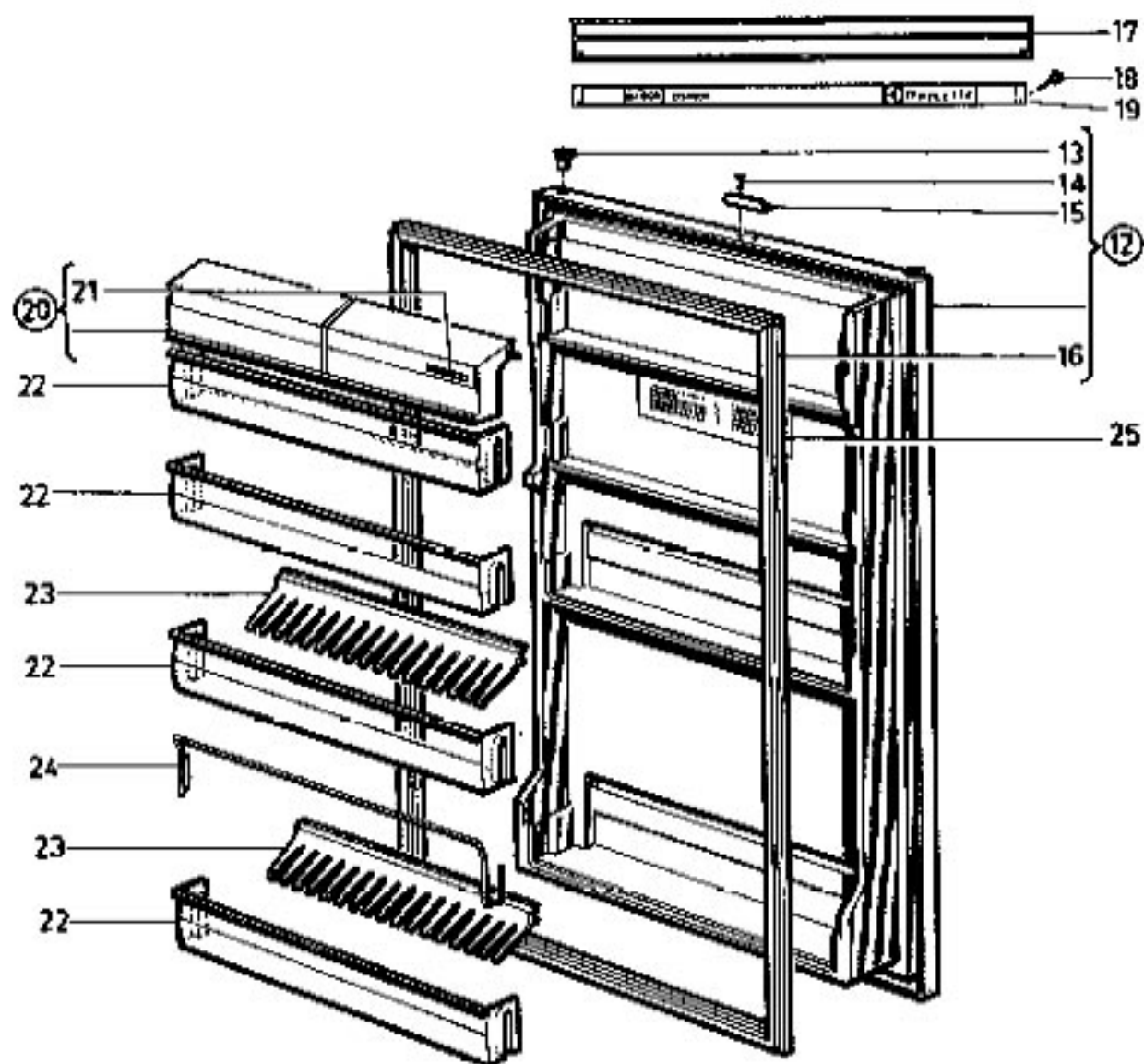
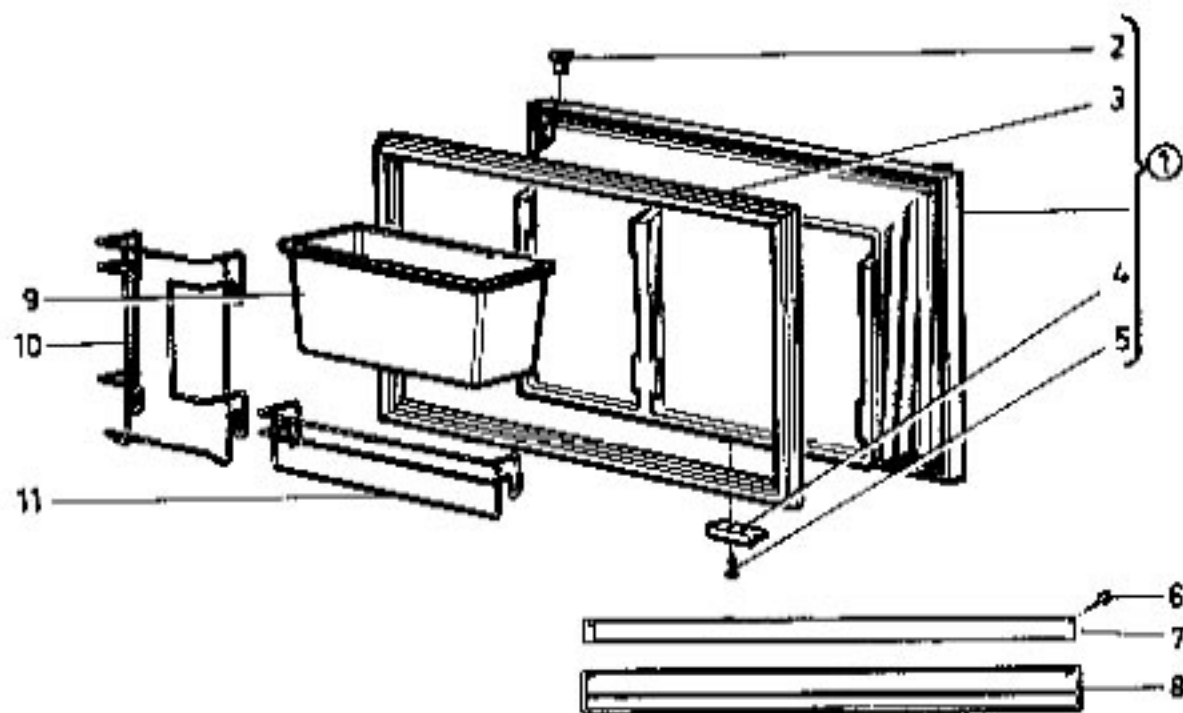
Dometic Sales Corporation
2320 Industrial Parkway
P O Box 490
Elkhart, Indiana 46515

WEST

DOMETIC SALES CORPORATION
14441 Bonnell Street
City of Industry, Calif 91748

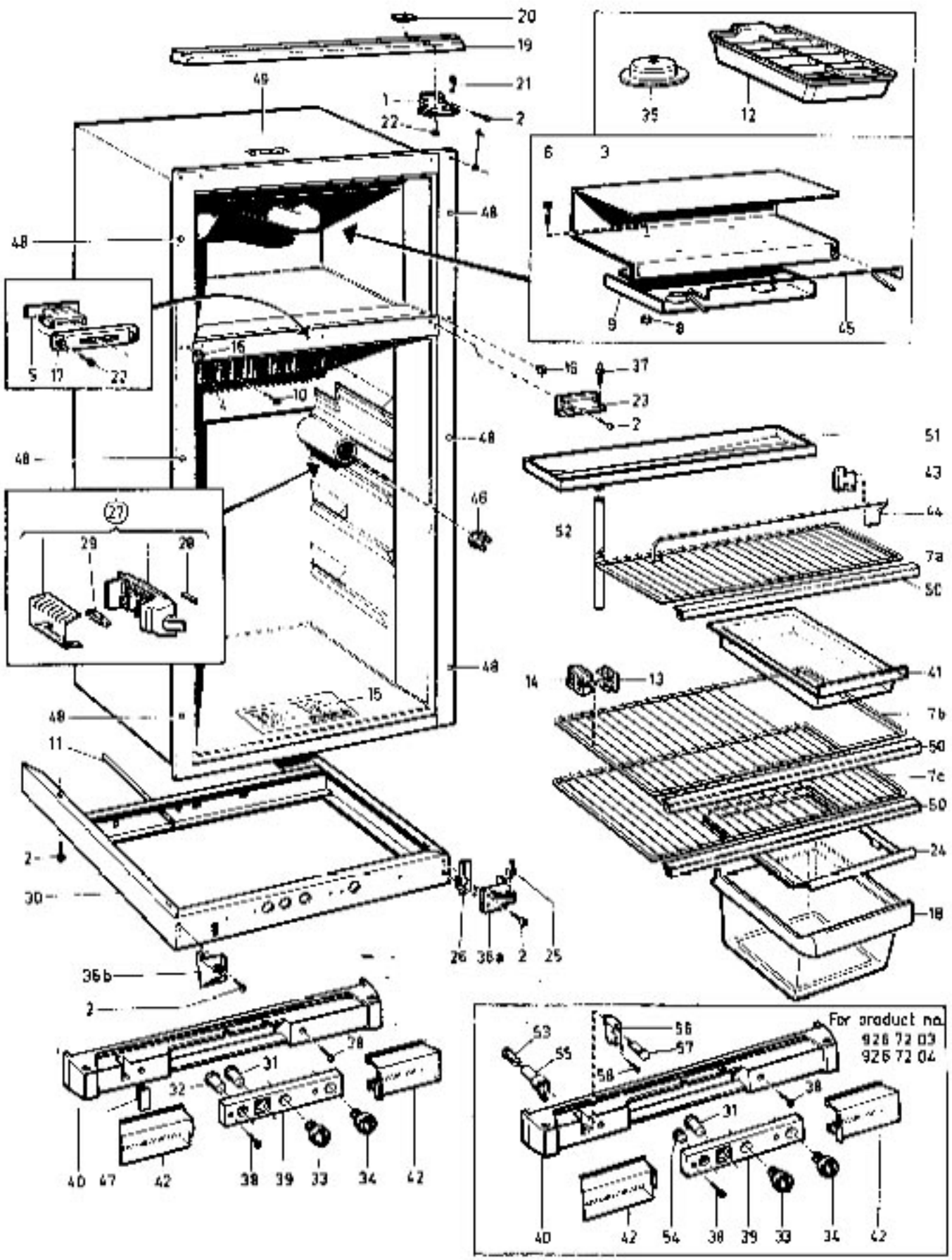
CANADA

DOMETIC CANADA INC
P O Box 212
Oakville, Ontario L6J 5A2



Item No.	Part No.	Description
1	200 76 13-03/3	Door, upper, without basket and shelf
2	200 26 19-00/1	. Bushing
3	200 26 26-15/4	. Door gasket
4	200 76 79-00/0	. Catch retainer
5	(722 78 35-02/7)	. Pop rivet
6	(729 52 21-01/9)	Screw KIS 84x5,5 Z.PL.
7	200 75 38-06/5	Decoration strip
8	200 26 75-10/2	Decoration
9	200 61 36-00/2	Box
10	200 70 40-00/5	Basket
11	200 70 43-00/9	Shelf
12	200 76 11-06/5	Door, lower, without compartments
13	200 26 19-00/1	. Bushing
14	(722 78 35-02/7)	. Pop rivet
15	200 76 79-00/0	. Catch retainer
16	200 26 26-14/7	. Door gasket
17	200 26 75-10/2	Decoration
18	(729 52 21-01/9)	Screw KIS 84x5,5 Z.PL.
19	200 75 38-05/7	Decoration strip "RM1300 Domestic"
20	200 26 23-02/9	Shutter, brown
21	200 26 72-00/0	. Name plate "Domestic"
22	200 17 32-11/0	Door compartment, brown
23	200 27 94-01/0	Bottle holder
24	200 17 34-00/9	Ear
25	(200 23 36-00/0)	Warning label

Part numbers within brackets are stated for identification purposes only. Such parts are not delivered as spare parts.

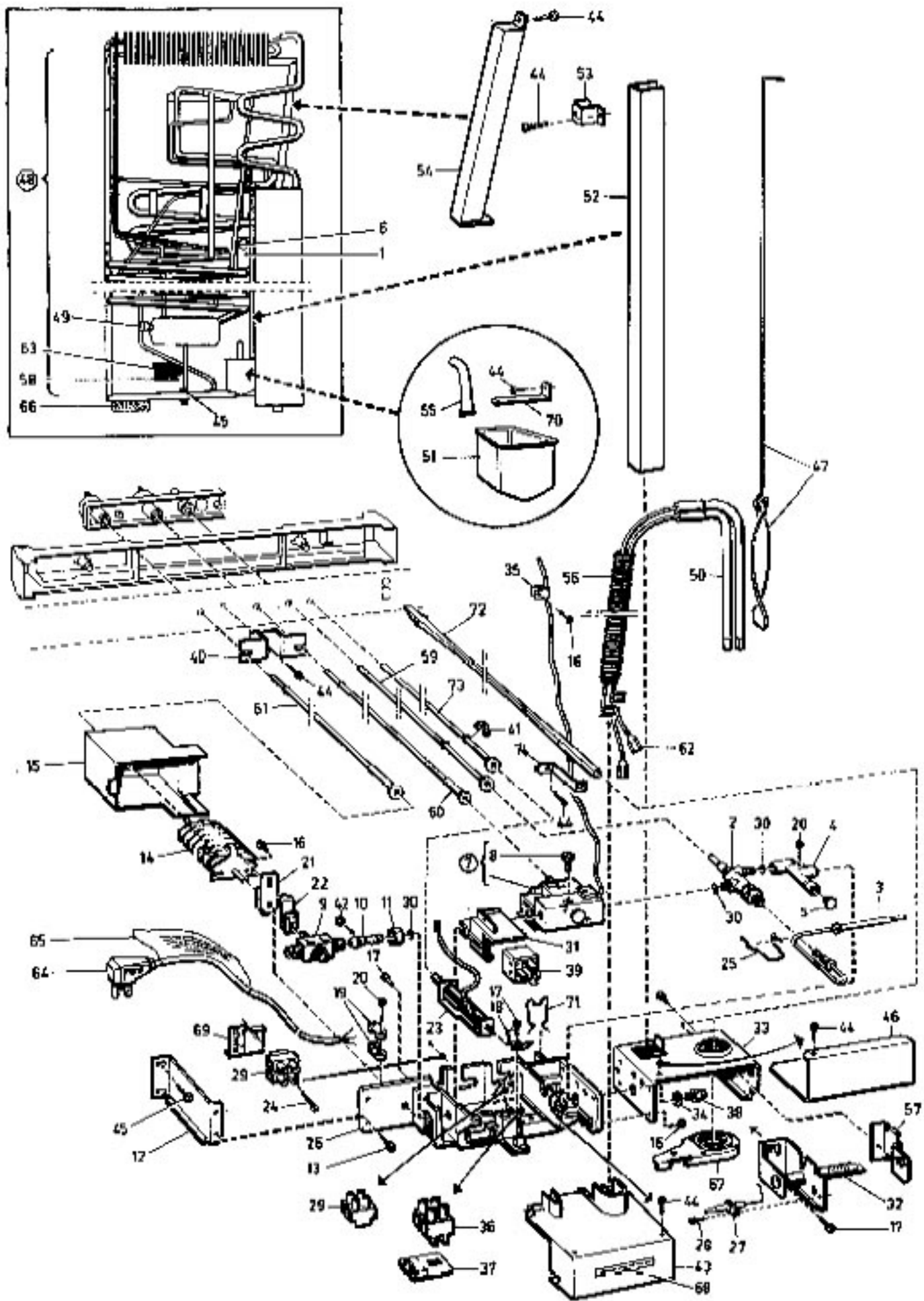


For product no.
 926 72 03
 926 72 04

Item No.	Part No.	Description
1	200 72 70-00/8	Hinge, upper
2	(724 13 28-61/1)	Screw M5 x 14, Z.PL.
3	(200 75 35-01/2)	Shelf
4	200 76 05-20/3	Coaling flange
5	200 76 81-00/6	Latch
6	725 79 40-13/4	Screw M6S 5x18 brass NI. PL.
7a	200 26 52-17/6	Shelf
7b	200 26 50-07/1	Shelf
7c	200 26 52-16/8	Shelf
8	(731 49 14-13/4)	Nut NL6M5 NI PL.
9	(200 76 49-00/3)	Retaining plate
10	729 54 22-11/2	Screw RKS 2x3 x 38, NI.PL.
11	200 73 49-02/6	Protecting hinge xx)
12	200 73 30-00/0	Ice tray
13	200 73 93-02/6	Shelf lock, outer
14	200 73 92-01/8	Shelf lock, inner
15	200 76 93-00/1	Instruction plate x)
	200 76 90-00/7	Instruction plate xx)
16	200 70 63-00/7	Plug
17	200 76 80-00/8	Latch housing
18	200 27 26-02/0	Crisper
19	200 76 52-00/7	Front decoration upper
20	(200 72 76-00/5)	Fixing plate
21	200 72 71-00/6	Hinge pin, upper
22	(729 52 81-01/3)	Screw RKS 8x13 Z.PL.
23	200 72 72-00/4	Hinge
24	200 27 27-01/0	Cover
25	200 73 19-00/6	Hinge pin
26	293 00 74-00/6	Sealing plate
27	200 72 82-00/3	Cabinet lamp fitting, compl.
28	200 25 78-02/5	• Fuse 2A
29	220 72 90-00/6	• Lamp 12V, 10W
30	(200 74 65-02/0)	Cabinet base
31	200 74 79-00/5	Push button
32	200 74 79-01/3	Push button x)
33	200 74 80-13/2	Knob, thermostat
34	200 74 80-01/1	Knob, selector 12/120V
	200 74 80-02/9	Knob, selector 120V
35	200 28 75-00/9	Spirit level
36a	200 75 90-00/8	Hinge RH
36b	200 75 91-00/6	Hinge LH
37	200 23 26-00/3	Knob pin
38	(729 52 85-01/4)	Screw, RKS 8x19 Z.PL.
39	200 74 63-00/9	Panel, gray
40	200 74 61-02/9	Base front x)
	200 74 61-06/0	Base front xx)
41	200 57 66-04/9	Drawer
42	200 74 64-00/7	Shutter
43	200 73 36-00/7	Retainer
44	200 73 37-03/9	Bar, l approx. 15"
	200 73 37-04/7	Bar, l approx. 16"
	200 73 37-07/0	Bar, l approx. 9"
45	200 75 37-00/0	Bar
46	(200 76 27-00/9)	Cable clamp
47	293 00 83-00/7	Plug x)
48	200 23 52-03/3	Masking plug, brown
49	(200 76 88-00/1)	Label
50	200 51 11-11/3	Decorative strip
51	200 76 10-00/5	Drip tray
52	200 26 04-02/9	Rose
53	200 76 26-00/1	Sealing sleeve xx)
54	200 76 62-00/6	Plug xx)
55	200 76 73-00/3	Protecting sleeve xx)
56	200 76 74-00/1	Lamp socket xx)
57	200 76 75-00/8	Pilot lamp xx)
58	(729 52 31-01/8)	Screw RKS 8x14, Z.PL. xx)

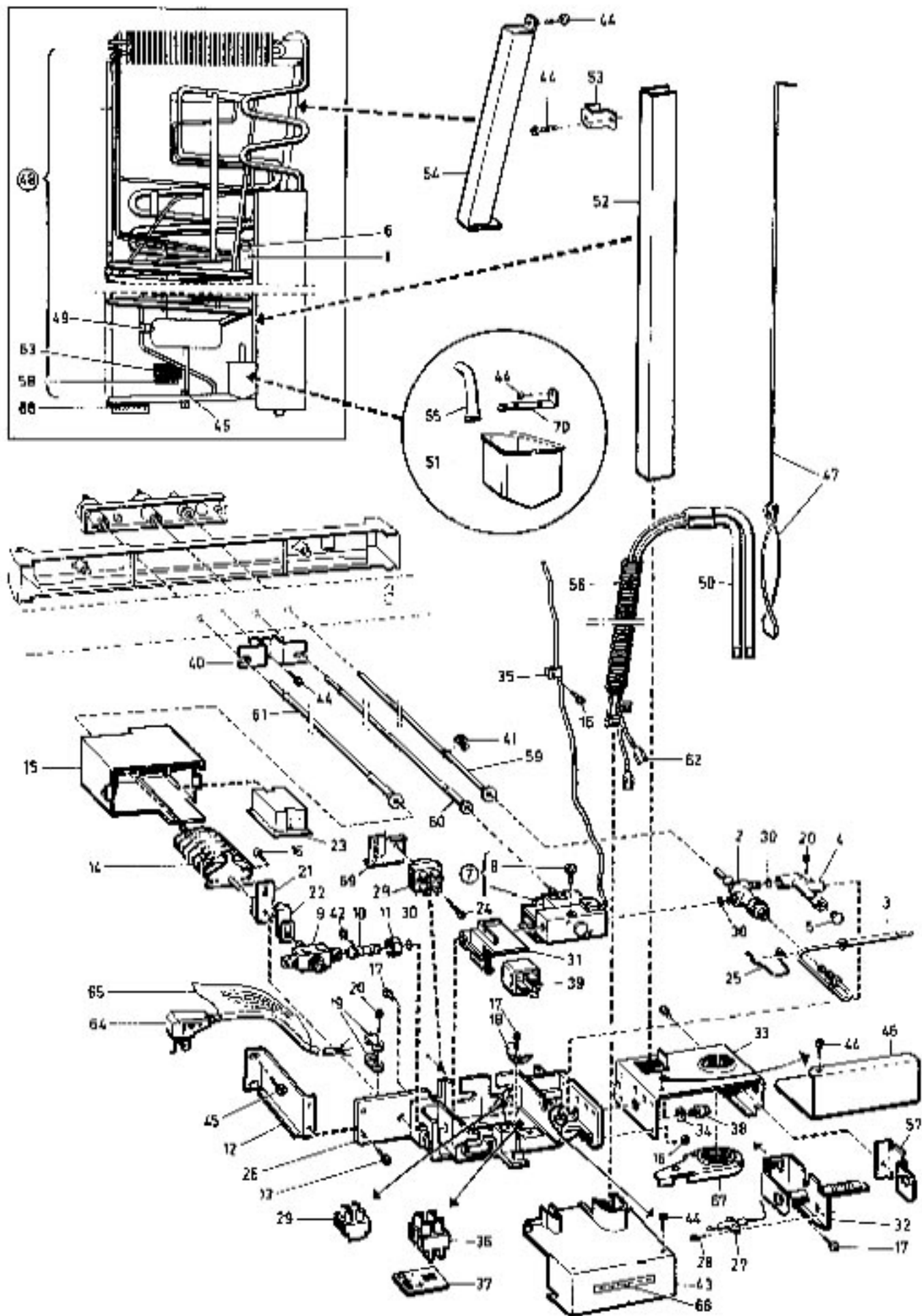
Part numbers within brackets are stated for identification purposes only. Such parts are not delivered as spare parts.

x) For prod.No. 926 72 01 and 926 72 02
 xx) For prod.No. 926 72 03 and 926 72 04



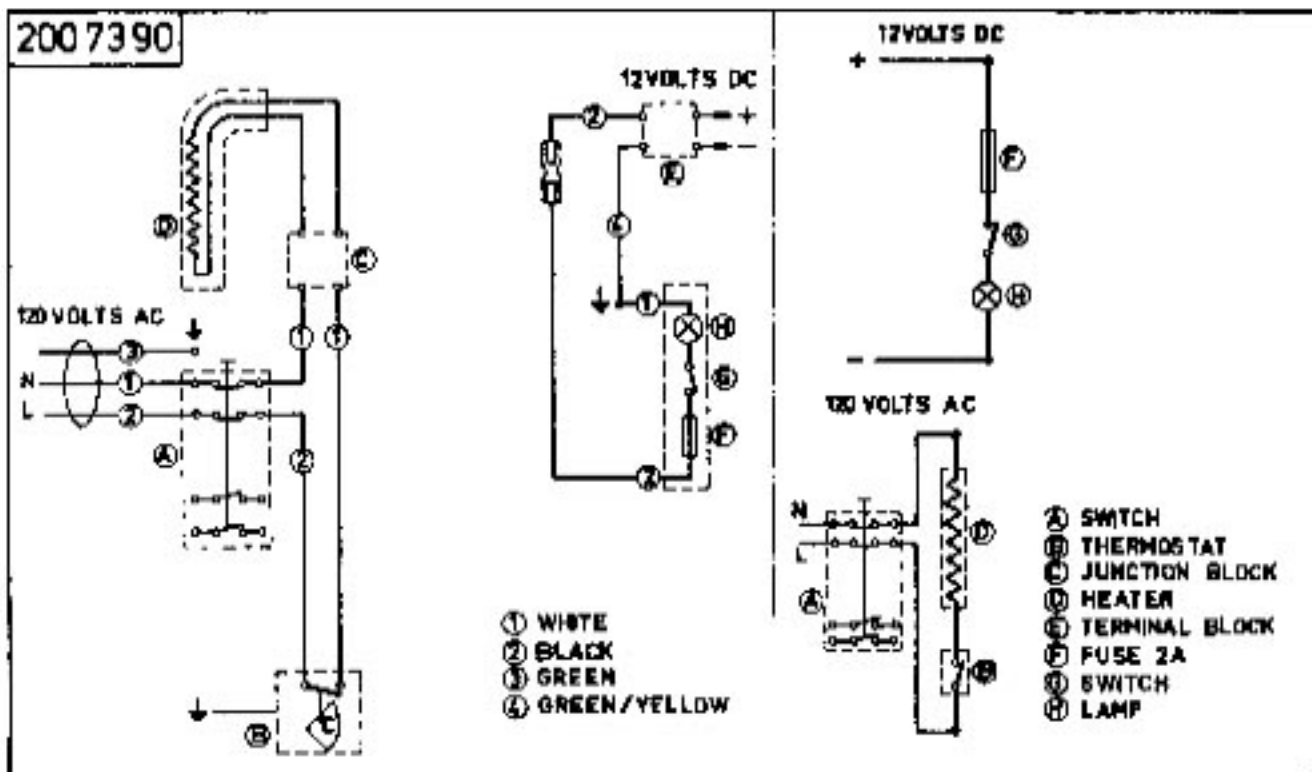
Item No.	Part No.	Description	Item No.	Part No.	Description
1	(200 76 53-00/5)	Retaining plate	39	200 73 29-01/0	Relay for 12/120V
2	200 74 22-00/5	Thermo electric safety valve	40	(200 75 67-00/7)	Shaft-stop
3	200 74 17-00/5	Thermo couple element	41	200 51 12-00/4	Clip
4	200 75 18-00/0	Coupling	42	735 31 13-23/1	Retaining ring
5	16 93 60-00/3	Plug screw	43	200 74 40-00/7	Cover
6	(200 11 92-00/0)	Plug	44	(729 52 79-01/7)	Screw RKS 8x8,5 Z.PL.
7	200 71 99-03/3	Thermostat	45	(724 12 89-01/1)	Screw M4x17 Z.PL.
8	17 28 19-04/7	. By-pass screw 511	46	(200 75 05-00/7)	Cover
9	200 74 30-00/8	Shut-off valve	47	200 71 79-02/7	Flue baffle
10	200 74 29-00/0	Nipple	48	928 61 49-01/9	Cooling unit 614A
11	17 28 09-00/6	Nut	49	17 32 28-00/8	. Filling cap
12	(200 74 18-00/3)	Retainer	50	17 37 43-01/4	Heater, 120V, 325W
13	(729 53 42-01/3)	Screw RKS 8x13 Z.PL.	51	200 76 18-00/8	Evaporation tray
14	200 74 32-00/4	Switch	52	(200 75 20-01/4)	Channel
15	200 74 39-00/9	Cover	53	(200 76 19-00/6)	Retainer
16	14 07 30-01/1	Screw	54	(200 75 21-01/2)	Flue
17	(724 12 87-01/5)	Screw M4x 4 x 8 Z.PL.	55	200 26 03-00/5	Waterseal
18	(760 28 96-70/1)	Tab connector	56	(200 70 69-04/5)	Protection hose
19	56 10 14-01/0	Anti-screin clip	57	200 76 51-00/9	Burner retainer
20	(729 52 85-01/4)	Screw RKS 8x19 Z.PL.	58	(200 75 74-02/9)	Plate "Install only with kit No. 4A"
21	200 75 77-00/6	Spring	59	200 74 68-01/6	Push rod
22	200 75 78-00/4	Spring	60	200 74 71-00/2	Shaft, thermostat
23	200 74 23-00/3	Lighter	61	200 74 75-00/3	Shaft, switch
24	(729 52 31-01/8)	Screw RKS 84 x 19 Z.PL.	62	(200 74 45-00/8)	Lead for 12/120V
25	200 74 25-00/8	Spring	63	(200 75 71-00/9)	Plate "Installation clearance"
26	(200 74 10-00/0)	Bracket	64	(200 26 99-01/1)	Flexible cord
27	200 74 16-00/7	Electrod	65	(200 25 76-00/3)	Electrical grounding instructions
28	729 52 21-11/8	Screw RKS 8x8 NI.PL.	66	(200 25 77-00/1)	Warning label
29	(762 72 02-56/2)	Terminal block	67	200 74 58-01/7	Clamping plate
30	14 07 48-00/5	Sealing ring	68	(200 76 89-00/9)	Label for 12/120V
31	200 74 28-00/2	Snap catch	69	200 76 86-00/5	Plate 12V
32	200 75 03-02/8	Burner	70	200 76 34-00/5	Retainer
33	(200 75 02-00/4)	Burner housing	71	200 74 24-00/1	Retainer
34	200 74 57 00/1	Washer	72	200 74 78-01/5	Light conductor
35	200 73 95-00/3	Clamp	73	200 74 68-00/8	Push rod
36	(200 26 33-01/0)	Terminal block	74	200 76 48-00/5	Retainer
37	(200 74 32-00/2)	Plate "12 Volts"			
38	200 74 19-21/7	Burner jet No. 58 for propane			
	200 74 19-19/1	Burner jet No. 53 for butane			

Part numbers within brackets are stated for identification purposes only. Such parts are not delivered as spare parts.

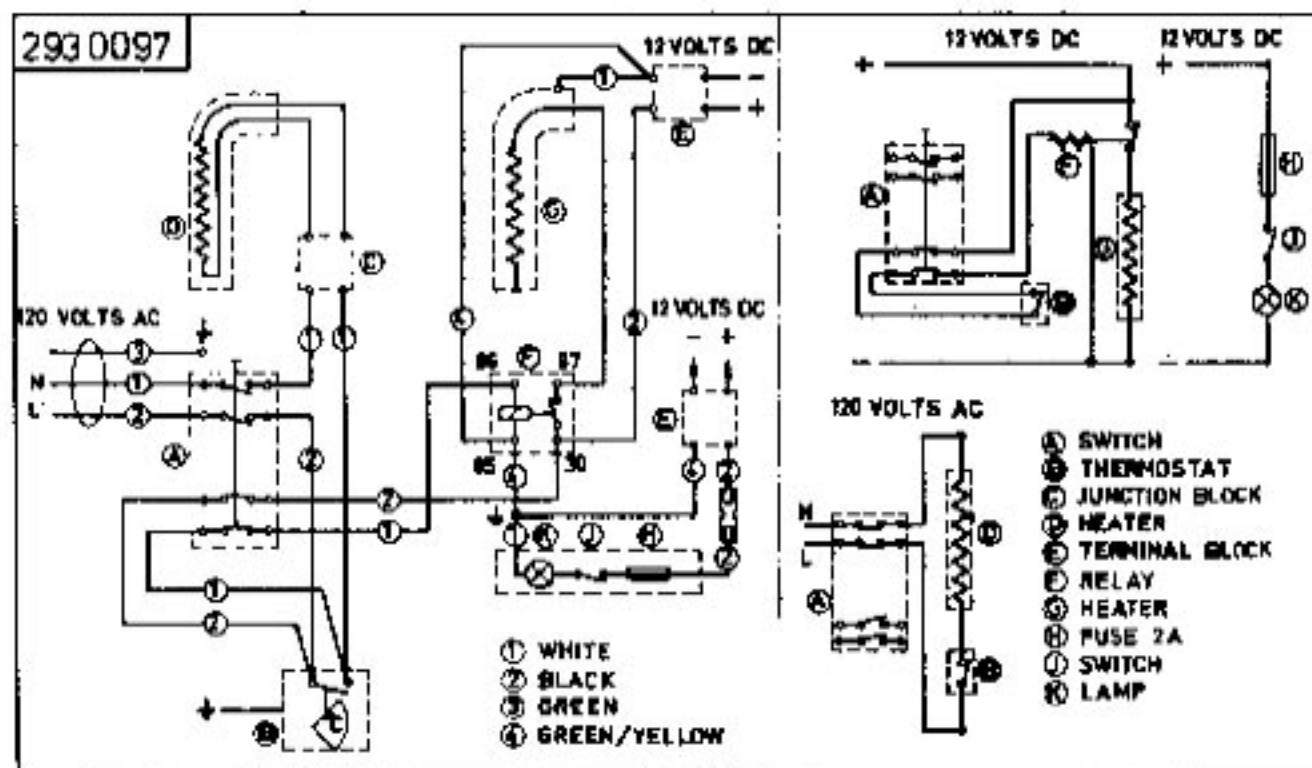


Item No.	Part No.	Description	Item No.	Part No.	Description
1	(200 76 53-00/5)	Retaining plate	39	200 73 29-01/0	Relay for 12/120V
2	200 74 22-00/3	Thermo electric safety valve	40	(200 73 67-00/7)	Shaft-stop
3	200 74 17-00/3	Thermo couple element	41	200 51 12-00/4	Clip
4	200 75 18-00/0	Coupling	42	735 31 13-23/1	Retaining ring
5	16 93 80-00/3	Plug screw	43	200 74 40-00/7	Cover
6	(200 11 92-00/9)	Plug	44	(729 52 79-01/7)	Screw RKS 8x9,5 2.Pl.
7	200 71 99-03/3	Thermostat	45	(724 12 89-01/1)	Screw Mx10 2.Pl.
8	17 28 19-04/7	, Bypass screw S11	46	(200 75 05-00/7)	Cover
9	200 74 30-00/8	Shut-off valve	47	200 71 79-02/7	Flue baffle
10	200 74 29-00/0	Nipple	48	928 61 49-01/9	Cooling unit 614A
11	17 28 09-00/6	Nut	49	17 32 28-00/8	, Filling cap
12	(200 74 13-00/3)	Retainer	50	17 37 42-01/6	Heater, 120V, 325W
13	(729 53 42-01/3)	Screw RKS 8x13 2.Pl.		17 37 43-01/4	Heater, 12V, 275W
14	200 76 64-30/2	Switch	51	200 76 18-00/8	Evaporation tray
15	200 76 61-30/3	Cover	52	(200 75 20-01/4)	Channel
16	14 07 30-01/1	Screw	53	(200 76 19-00/6)	Retainer
17	(724 12 87-01/5)	Screw MRS 4 x 8, 2.Pl.	54	(200 75 21-01/2)	Flue
18	(760 28 96-70/1)	Tab connector	55	200 26 03-00/5	Waterseal
19	20 10 14-01/3	Anti-strain clip	56	(200 73 69-04/6)	Protection hose
20	(729 52 85-01/4)	Screw RKS 8x19 2.Pl.	57	200 76 53-00/9	Burner retainer
21	200 75 77-00/6	Spring	58	(200 75 74-02/9)	Plate "Install only with kit No. 4A"
22	200 75 78-00/4	Spring	59	200 74 68-01/6	Push rod
23	200 76 65-00/9	Reigniter	60	200 74 71-00/2	Shaft, thermostat
24	(729 52 31-01/8)	Screw RKS 84 x 19 2.Pl.	61	200 74 75-00/3	Shaft, switch
25	200 74 25-00/8	Spring	62	(200 74 45-00/6)	Lead for 12/120V
26	(200 74 10-00/0)	Bracket	63	(200 75 71-00/9)	Plate "Installation clearance"
27	200 74 16-00/7	Electrod	64	(200 26 99-01/1)	Flexible cord
28	729 52 21-11/8	Screw RKS 5x6 21.Pl.	65	(200 25 76-00/3)	Electrical grounding
29	(762 72 02-56/2)	Terminal block			Instructions
30	14 07 48-00/5	Heating ring	66	(200 25 77-00/1)	Warning label
31	200 74 28-00/2	Snap catch	67	200 74 59-01/7	Clamping plate
32	200 75 03-02/8	Burner	68	(200 76 59-00/9)	Label for 12/120V
33	(200 75 02-00/4)	Burner housing	69	(200 76 86-00/5)	Plate 12V
34	200 74 57-00/1	Washer	70	200 76 34-00/5	Retainer
35	(200 73 95-00/3)	Clamp			
36	(200 26 33-01/0)	Terminal block			
37	(200 74 52-00/2)	Plate "12 Volts"			
38	200 74 19-21/7	Burner jet No. 58 for propane			
	200 74 19-19/1	Burner jet No. 53 for butane			

Part numbers within brackets are stated for identification purposes only. Such parts are not delivered as spare parts.

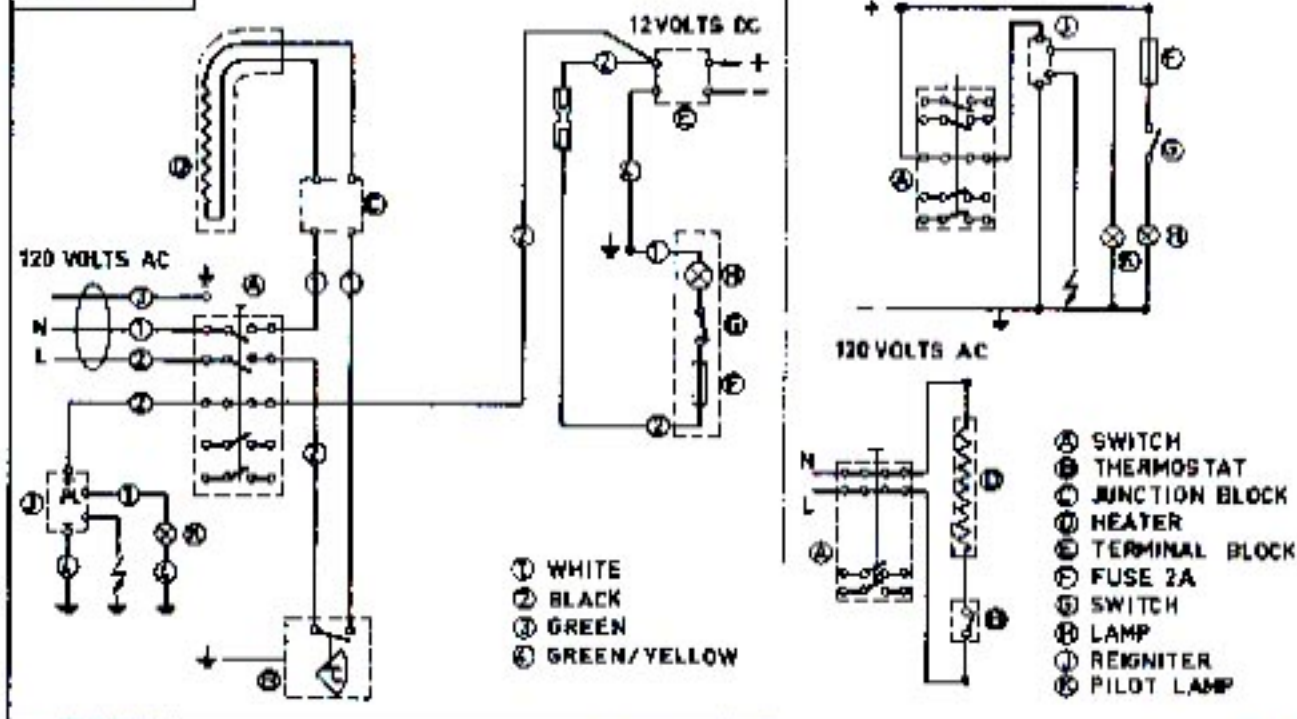


Wiring Diagram for product no. 926 72 01, 120V, without reaignter



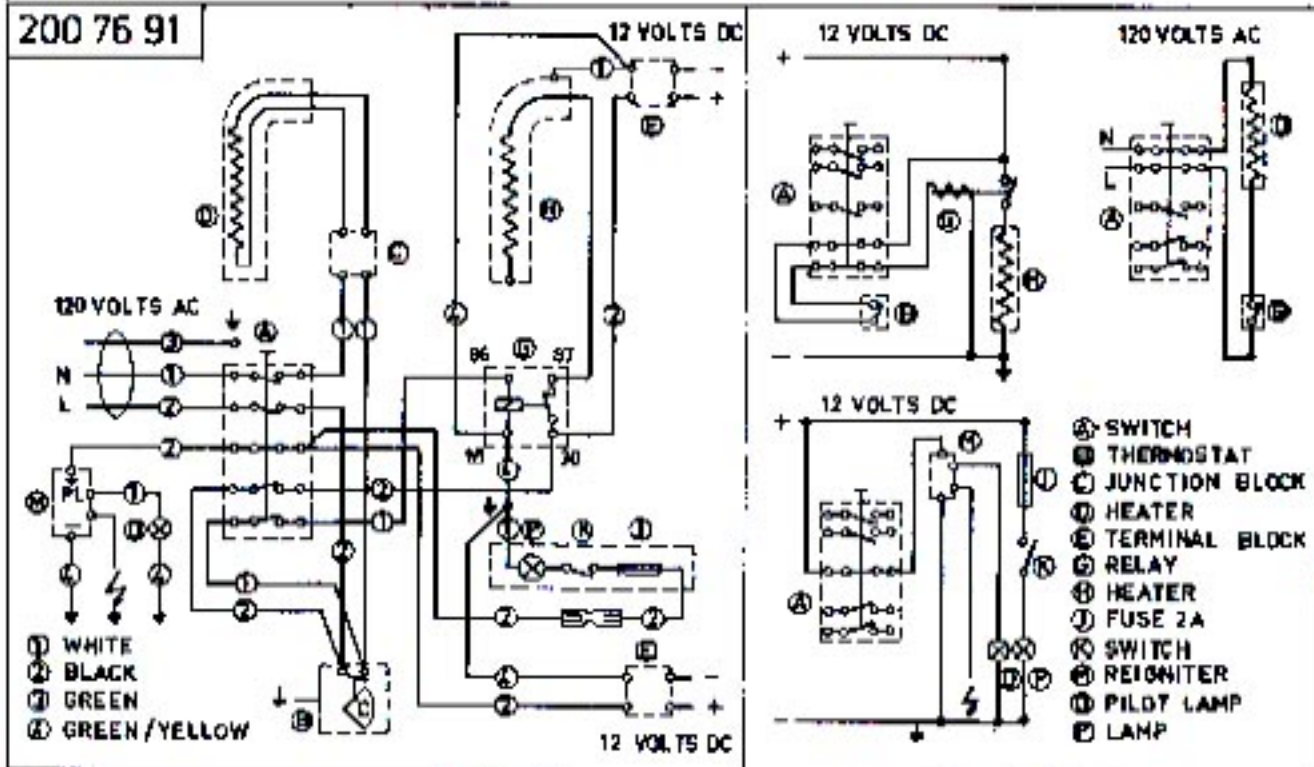
Wiring Diagram for product no. 926 72 02, 12/120V, without reaignter

200 76 72



Wiring Diagram for product no. 926 72 03, 120V, with reigniter

200 76 91



Wiring Diagram for product no. 926 72 04, 12/120V, with reigniter